

Datasheet

APM32E030x8

Arm[®] Cortex[®] -M0+ -based 32-bit MCU

Version: V1.0

1 Product Characteristics

■ System Architecture

- 32-bit Arm® Cortex®-M0+ core
- 72MHz working frequency

■ Memory

- Flash: The capacity is 64KB
- SRAM: The capacity is 8KB

■ Clock

- HSECLK: 4~32MHz external crystal/ceramic oscillator supported
- LSECLK: 32.768KHz crystal/ceramic oscillator supported
- HSICLK: 8MHz RC oscillator calibrated by factory
- LSICLK: 40KHz RC oscillator supported
- PLL: Phase locked loop; 2~16 frequency doubling supported

■ Reset and power management

- V_{DD} range: 2.0~3.6V
- V_{DDA} range: V_{DD}~3.6V
- Power-on/power-down reset (POR/PDR) supported

■ Low-power mode

- Sleep, stop and standby modes supported

■ DMA

- A DMA with 5 channels

■ Debugging interface

- SWD

■ I/O

- Up to 55 I/O
- All I/O can be mapped to external interrupt vector
- Up to 36 FT input I/O

■ Communication peripherals

- 2 I2C interface (1Mbit/s), supporting SMBus/PMBus
- 2 USART interface, maximum speed is 6Mbit/s
- 2 SPI, maximum transmission speed is 18Mbit/s

■ Analog peripherals

- 3 12-bit ADCs, 18 channels in 16+2 supported

■ Timer

- 1 16-bit advanced timers TMR1 that can provide 7-channel PWM output, support dead zone generation and braking input functions
- 5 16-bit general-purpose timers TMR3/14/15/16/17, with independent channels to support input capture, output comparison, PWM, pulse count and other functions
- 1 16-bit basic timers TMR6
- 2 watchdog timers: one independent watchdog IWDT and one window watchdog WWDT
- 1 24-bit autodecrement SysTick Timer

■ RTC

- Support calendar function
- Alarm and regular wake-up from halt/standby mode

■ CRC computing unit

■ 96-bit unique device ID

■ Chip package

- TSSOP20/QFN28/QFN32/QFN48/LQFP32/LQFP48/LQFP64

Contents

1	Product Characteristics	1
2	Product Information	6
3	Pin Information	7
3.1	Pin distribution	7
3.2	Pin function description	10
3.3	GPIO Multiplexing Function Configuration	18
4	Function Description	20
4.1	System architecture.....	20
4.1.1	System block diagram	20
4.1.2	Address mapping	21
4.1.3	Startup configuration	22
4.2	Core	22
4.3	Interrupt controller	22
4.3.1	Nested Vector Interrupt Controller (NVIC)	22
4.3.2	External Interrupt/Event Controller (EINT).....	22
4.4	On-chip memory.....	22
4.5	Clock.....	23
4.5.1	Clock tree	23
4.5.2	Clock source.....	23
4.5.3	System clock	24
4.5.4	Bus clock	24
4.6	Power and power management	24
4.6.1	Power supply scheme	24
4.6.2	Voltage regulator	24
4.6.3	Power supply voltage monitor	24
4.7	Low-power mode.....	25
4.8	DMA.....	25
4.9	GPIO.....	25

4.10	Communication peripherals	26
4.10.1	USART	26
4.10.2	I2C	26
4.10.3	SPI	27
4.11	Analog peripherals	27
4.11.1	ADC	27
4.12	Timer	28
4.13	RTC	30
4.14	CRC	30
5	Electrical Characteristics	31
5.1	Test conditions of electrical characteristics	31
5.1.1	Maximum and minimum values	31
5.1.2	Typical value	31
5.1.3	Typical curve	31
5.1.4	Power supply scheme	32
5.1.5	Load capacitance	32
5.2	Test under general operating conditions	33
5.3	Absolute maximum ratings	33
5.3.1	Maximum temperature characteristics	34
5.3.2	Maximum rated voltage characteristics	34
5.3.3	Maximum rated current characteristics	34
5.3.4	Electro-static discharge (ESD)	35
5.3.5	Static latch-up (LU)	35
5.4	memory	35
5.4.1	Flash characteristics	35
5.5	Clock	36
5.5.1	Characteristics of external clock source	36
5.5.2	Characteristics of internal clock source	37
5.5.3	PLL Characteristics	38
5.6	Reset and power management	38

5.6.1	Test of Embedded Reset and Power Control Module Characteristics.....	38
5.7	Power consumption.....	39
5.7.1	Power consumption test environment.....	39
5.7.2	Power consumption in run mode.....	40
5.7.3	Power consumption in sleep mode	42
5.7.4	Power consumption in stop and Standby mode	43
5.7.5	Peripheral power consumption.....	44
5.8	Wake-up time in low-power mode.....	45
5.9	Port characteristics.....	46
5.9.1	I/O port characteristics	46
5.9.2	NRST pin characteristics.....	47
5.10	Communication peripherals	48
5.10.1	I2C peripheral characteristics.....	48
5.10.2	SPI peripheral characteristics	49
5.11	Analog peripherals	51
5.11.1	ADC	51
5.11.2	Temperature Sensor Characteristics.....	52
6	Package Information	53
6.1	LQFP64 package information	53
6.2	LQFP48 package information	55
6.3	QFN48 package information	58
6.4	LQFP32 package information	60
6.5	QFN32 package information	62
6.6	QFN28 package information	64
6.7	TSSOP20 package information.....	66
7	Packaging Information.....	69
7.1	Reel packaging.....	69
7.2	Tray packaging	70
7.2.1	Tube packing	71
8	Ordering Information	73

9	Commonly Used Function Module Denomination.....	74
10	Version History	75

2 Product Information

See the following table for APM32E030x8 product functions and peripheral configuration.

Table 1 Functions and Peripherals of APM32E030x8 Series Chips

Product		APM32E030x8						
Model		F8P6	G8U6	K8U6	K8T6	C8U6	C8Tx	R8T6
Package		TSSOP20	QFN28	QFN32	LQFP32	QFN48	LQFP48	LQFP64
Core and maximum working frequency		Arm® 32-bit Cortex®-M0+@72MHz						
Working voltage		2.0~3.6V						
Flash(KB)		64						
SRAM(KB)		8						
GPIOs		15	23	27	25	39	55	
Communication interface	USART	1	2					
	SPI	1				2		
	I2C	0	1			2		
Timer	16-bit advanced	1						
	16-bit general	5						
	16-bit basic	1						
	System tick timer	1						
	Watchdog	2						
Real-time clock		1						
12-bit ADC	Unit	1						
	External channel	9	10				16	
	Internal channel	2						
Operating temperature		Ambient temperature: -40°C to 85°C/ -40°C to 105°C Junction temperature: -40°C to 105°C/ -40°C to 125°C						

3 Pin Information

3.1 Pin distribution

Figure 1 Distribution Diagram of APM32E030x8 Series LQFP64 Pins

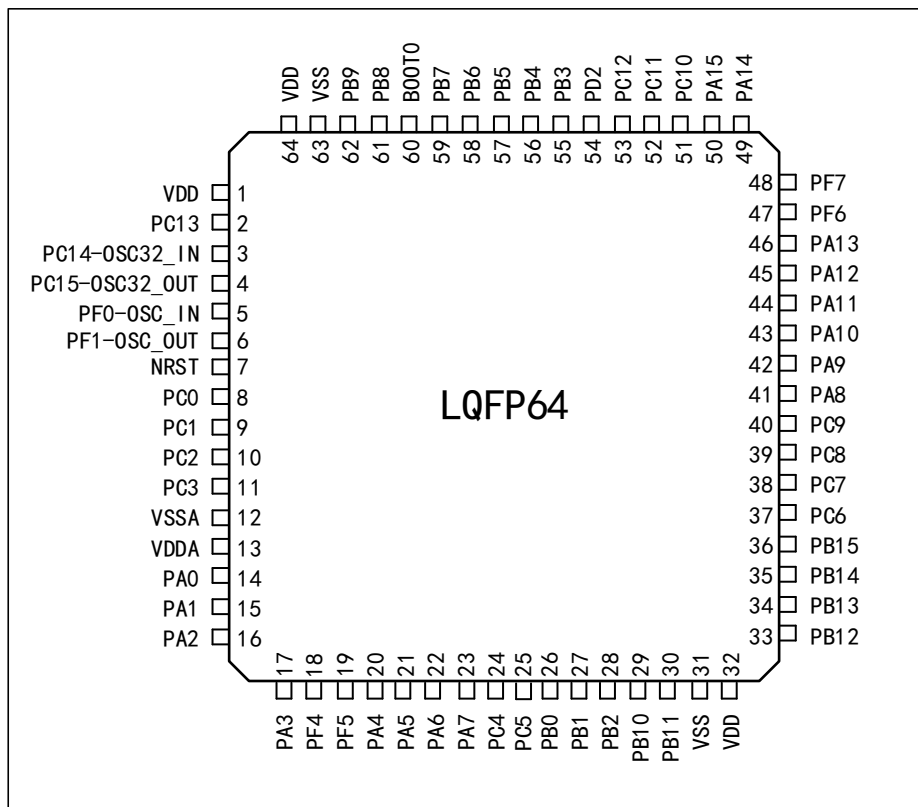


Figure 2 Distribution Diagram of APM32E030x8 Series LQFP48 Pins

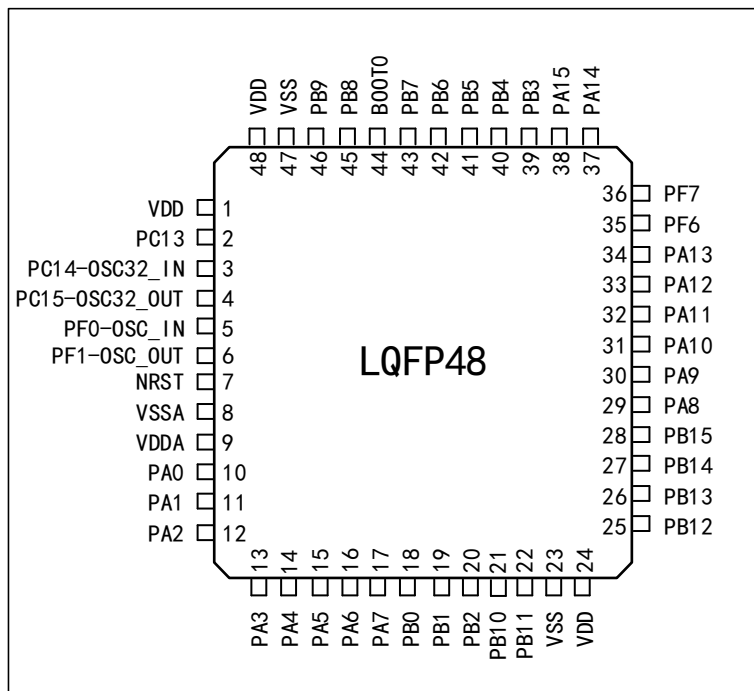


Figure 3 Distribution Diagram of APM32E030x8 Series LQFP32 Pins

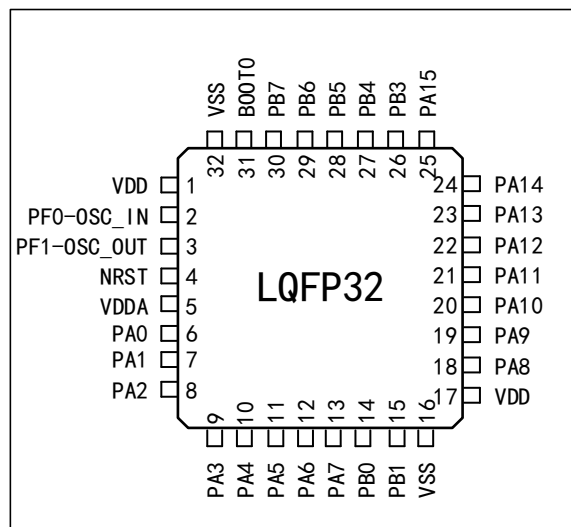


Figure 4 Distribution Diagram of APM32E030x8 Series QFN48 Pins

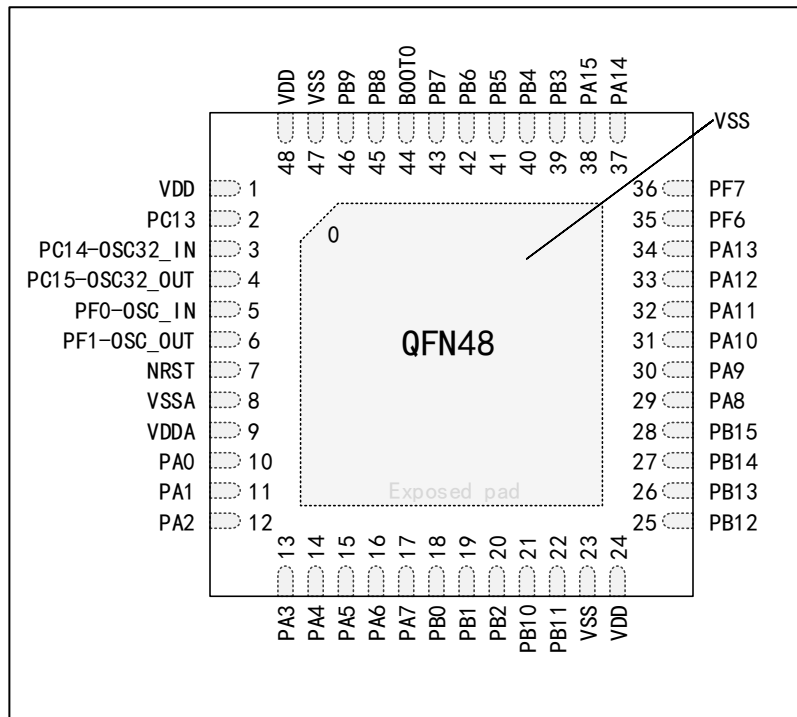


Figure 5 Distribution Diagram of APM32E030x8 Series QFN32 Pins

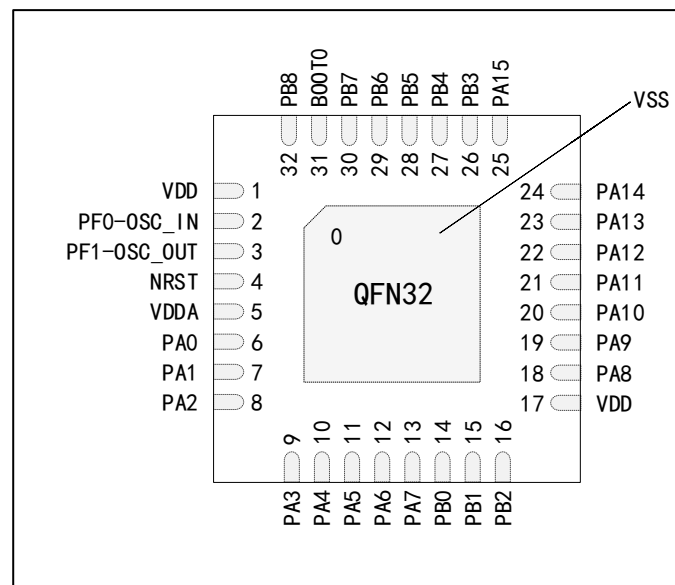


Figure 6 Distribution Diagram of APM32E030x8 Series QFN28 Pins

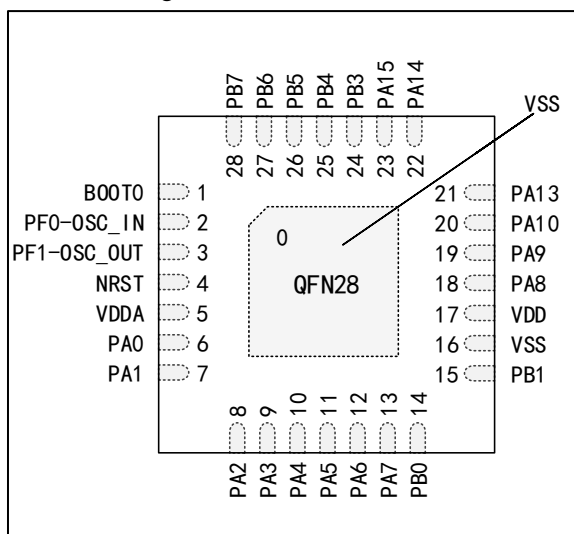
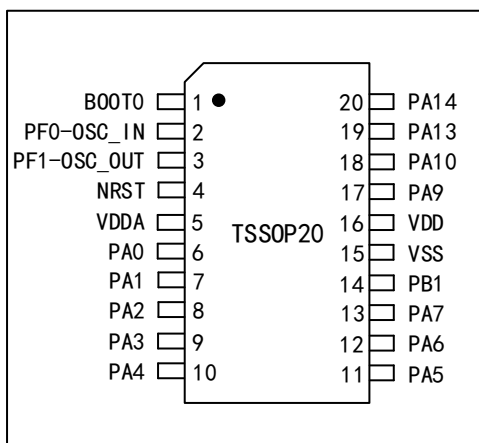


Figure 7 Distribution Diagram of APM32E030x8 Series TSSOP20 Pins



3.2 Pin function description

Table 2 Legends/Abbreviations Used in Output Pin Table

Name	Abbreviation	Definition
Pin name	Unless otherwise specified in parentheses below the pin name, the pin functions during and after reset are the same as the actual pin name	
Pin type	P	Power pin
	I	Only input pin
	I/O	I/O pin
I/O structure	5T	FT I/O
	5Tf	I/O, FM+ function with 5 V tolerance
	STDA	3.3V standard I/O, directly connected to ADC
	STD	3.3V standard I/O
	B	Dedicated Boot0 pin

Name		Abbreviation	Definition
		RST	Bidirectional reset pin with built-in pull-up resistor
Notes		Unless otherwise specified in the notes, all I/O is set as floating input during and after reset	
Pin function	Default multiplexing function	Function directly selected/enabled through peripheral register	
	Additional function	Select this function through AFIO remapping register	

Table 3 Description of APM32E030x8 by Pin Number

Name (Function after reset)	Type	Structure	Schmitt trigger function	Multiplexing function	Additional function	TSSOP20	QFN28	QFN32	LQFP32	LQFP48 QFP48	LQFP64
V _{DD}	P	-	-	Chip complementary power supply		-	-	-	-	1	1
PC13 ⁽¹⁾	I/O	STD	√	-	RTC_TS, RTC_OUT, WKUP2	-	-	-	-	2	2
PC14-OSC32_IN (PC14) ⁽¹⁾	I/O	STD	√	-	OSC32_IN	-	-	-	-	3	3
PC15-OSC32_OUT (PC15) ⁽¹⁾	I/O	STD	√	-	OSC32-OUT	-	-	-	-	4	4
PF0-OSC_IN (PF0)	I/O	5T	-	-	OCS_IN	2	2	2	2	5	5
PF1-OSC_OUT (PF1)	I/O	5T	-	-	OSC_OUT	3	3	3	3	6	6
NRST	I/O	RST	-	Chip reset input/internal reset output (active low)		4	4	4	4	7	7
PC0	I/O	STDA	√	EVENTOUT	ADC_IN10	-	-	-	-	-	8
PC1	I/O	STDA	√	EVENTOUT	ADC_IN11	-	-	-	-	-	9
PC2	I/O	STDA	√	EVENTOUT	ADC_IN12	-	-	-	-	-	10
PC3	I/O	STDA	√	EVENTOUT	ADC_IN13	-	-	-	-	-	11
V _{SSA}	P	-	-	Analog ground		-	-	0	-	8	12
V _{DDA}	P	-	-	Analog power supply		5	5	5	5	9	13

Name (Function after reset)	Type	Structure	Schmidt trigger function	Multiplexing function	Additional function	TSSOP20	QFN28	QFN32	LQFP32	LQFP48 QFP48	LQFP64
PA0	I/O	STDA	-	USART2_CTS	ADC_IN0, RTC_TAMP2, WKUP1	6	6	6	6	10	14
PA1	I/O	STDA	-	USART2_RTS, EVENTOUT	ADC_IN1	7	7	7	7	11	15
PA2	I/O	STDA	-	USART2_TX, TMR15_CH1	ADC_IN2	8	8	8	8	12	16
PA3	I/O	STDA	-	USART2_RX, TMR15_CH2	ADC_IN3	9	9	9	9	13	17
PF4	I/O	5T	√	EVENTOUT	-	-	-	-	-	-	18
PF5	I/O	5T	√	EVENTOUT	-	-	-	-	-	-	19
PA4	I/O	STDA	-	SPI1_NSS, USART2_CK, TMR14_CH1	ADC_IN4	10	10	10	10	14	20
PA5	I/O	STDA	-	SPI1_SCK	ADC_IN5	11	11	11	11	15	21
PA6	I/O	STDA	-	SPI1_MISO, TMR3_CH1, TMR1_BKIN, TMR16_CH1, EVENTOUT	ADC_IN6	12	12	12	12	16	22
PA7	I/O	STDA	-	SPI1_MOSI, TMR3_CH2, TMR14_CH1, TRM1_CH1N,	ADC_IN7	13	13	13	13	17	23

Name (Function after reset)	Type	Structure	Schmitt trigger function	Multiplexing function	Additional function	TSSOP20	QFN28	QFN32	LQFP32	LQFP48 QFP48	LQFP64
				TMR17_CH1, EVENTOUT							
PC4	I/O	STDA	√	EVENTOUT	ADC_IN14	-	-	-	-	-	24
PC5	I/O	STDA		-	ADC_IN15	-	-	-	-	-	25
PB0	I/O	STDA	-	TMR3_CH3, TMR1_CH2N, EVENTOUT	ADC_IN8	-	14	14	14	18	26
PB1	I/O	STDA	-	TMR3_CH4, TMR14_CH1, TMR1_CH3N	ADC_IN9	14	15	15	15	19	27
PB2	I/O	5T	-	-	-	-	-	16	-	20	28
PB10	I/O	5T	√	I2C2_SCL	-	-	-	-	-	21	29
PB11	I/O	5T	-	I2C2_SDA, EVENTOUT	-	-	-	-	-	22	30
Vss	P	-	-	Digital ground		-	16	0	16	23	31
VDD	P	-	-	Digital power supply		16	17	17	17	24	32
PB12	I/O	5T	-	SPI2_NSS, TMR1_BKIN, EVENTOUT	-	-	-	-	-	25	33
PB13	I/O	5T	-	SPI2_SCK, TMR1_CH1N	-	-	-	-	-	26	34
PB14	I/O	5T	-	SPI2_MISO, TMR1_CH2N, TMR15_CH1	-	-	-	-	-	27	35

Name (Function after reset)	Type	Structure	Schmidt trigger function	Multiplexing function	Additional function	TSSOP20	QFN28	QFN32	LQFP32	LQFP48 QFP48	LQFP64
PB15	I/O	5T	√	SPI2_MOSI, TMR1_CH3N, TMR15_CH1N, TMR15_CH2	RTC_REFIN	-	-	-	-	28	36
PC6	I/O	5T	√	TMR3_CH1	-	-	-	-	-	-	37
PC7	I/O	5T	√	TMR3_CH2	-	-	-	-	-	-	38
PC8	I/O	5T	√	TMR3_CH3	-	-	-	-	-	-	39
PC9	I/O	5T	√	TMR3_CH4	-	-	-	-	-	-	40
PA8	I/O	5T	√	USART1_CK, TMR1_CH1, EVENTOUT, MCO	-	-	18	18	18	29	41
PA9	I/O	5T	-	USART1_TX, TMR1_CH2, TMR15_BKIN	-	17	19	19	19	30	42
PA10	I/O	5T	-	USART1_RX, TMR1_CH3, TMR17_BKIN	-	18	20	20	20	31	43
PA11	I/O	5T	-	USART1_CTS, TMR1_CH4, EVENTOUT	-	-	-	21	21	32	44
PA12	I/O	5T	-	USART1_RTS, TMR1_ETR, EVENTOUT	-	-	-	22	22	33	45

Name (Function after reset)	Type	Structure	Schmidt trigger function	Multiplexing function	Additional function	TSSOP20	QFN28	QFN32	LQFP32	LQFP48 QFP48	LQFP64
PA13 (SWDIO) ⁽²⁾	I/O	5T	√	IR_OUT, SWDIO	-	19	21	23	23	34	46
PF6	I/O	5T	√	I2C2_SCL	-	-	-	-	-	35	47
PF7	I/O	5T	√	I2C2_SDA	-	-	-	-	-	36	48
PA14 (SWCLK) ⁽²⁾	I/O	5T	√	USART2_TX, SWCLK	-	20	22	24	24	37	49
PA15	I/O	5T	√	SPI1_NSS, USART2_RX, EVENTOUT	-	-	23	25	25	38	50
PC10	I/O	5T	√	-	-	-	-	-	-	-	51
PC11	I/O	5T	√	-	-	-	-	-	-	-	52
PC12	I/O	5T	√	-	-	-	-	-	-	-	53
PD2	I/O	5T	√	TMR3_ETR	-	-	-	-	-	-	54
PB3	I/O	5T	-	SPI1_SCK, EVENTOUT	-	-	24	26	26	39	55
PB4	I/O	5T	-	SPI1_MISO, TMR3_CH1, EVENTOUT	-	-	25	27	27	40	56
PB5	I/O	5T	√	SPI1_MOSI, I2C1_SMBA, TMR16_BKIN, TMR3_CH2	-	-	26	28	28	41	57

Name (Function after reset)	Type	Structure	Schmitt trigger function	Multiplexing function	Additional function	TSSOP20	QFN28	QFN32	LQFP32	LQFP48 QFP48	LQFP64
PB6	I/O	5T	-	I2C1_SCL, USART1_TX, TMR16_CH1N	-	-	27	29	29	42	58
PB7	I/O	5T	-	I2C1_SDA, USART1_RX, TMR17_CH1N	-	-	28	30	30	43	59
BOOT0	I	B	-	Memory startup selection		1	1	31	31	44	60
PB8	I/O	5Tf	√	I2C1_SCL, TMR16_CH1	-	-	-	32	-	45	61
PB9	I/O	5Tf	√	I2C1_SDA, IR_OUT, TMR17_CH1, EVENTOUT	-	-	-	-	-	46	62
Vss	P	-	-	Digital ground		15	0	0	32	47/0	63
VDD	P	-	-	Digital power supply		16	-	1	1	48	64

Note:

- (1) PC13, PC14, and PC15 pins supply power through a power switch that can only absorb a limited amount of current (3mA). Therefore, these three pins have the following limitations as the GPIO output pin function: only one pin can be used as the output at the same time, as the output pin can only work in 2MHz mode, the maximum drive load is 30pF, the turnover frequency does not exceed 2MHz, and can not be used as a current source (such as driving LED).
- (2) Upon reset, these pins are configured as SWDIO and SWCLK multiplexing functions, and the internal pull-up of SWDIO pin and the internal pull-down of SWCLK pin are activated.

3.3 GPIO Multiplexing Function Configuration

Table 4 GPIOA Multiplexing Function Configuration

Pin Name	AF0	AF1	AF2	AF3	AF4	AF5	AF6
PA0	-	USART2_CTS	-	-	-	-	-
PA1	EVENTOUT	USART2_RTS	-	-	-	-	-
PA2	TMR15_CH1	USART2_TX	-	-	-	-	-
PA3	TMR15_CH2	USART2_RX	-	-	-	-	-
PA4	SPI1_NSS	USART2_CK	-	-	TMR14_CH1	-	-
PA5	SPI1_SCK	-	-	-	-	-	-
PA6	SPI1_MISO	TMR3_CH1	TMR1_BKIN	-	-	TMR16_CH1	EVENTOUT
PA7	SPI1_MOSI	TMR3_CH2	TMR1_CH1N	-	TMR14_CH1	TMR17_CH1	EVENTOUT
PA8	MCO	USART1_CK	TMR1_CH1	EVENTOUT	-	-	-
PA9	TMR15_BKIN	USART1_TX	TMR1_CH2	-	-	-	-
PA10	TMR17_BKIN	USART1_RX	TMR1_CH3	-	-	-	-
PA11	EVENTOUT	USART1_CTS	TMR1_CH4	-	-	-	-
PA12	EVENTOUT	USART1_RTS	TMR1_ETR	-	-	-	-
PA13	SWDIO	IR_OUT	-	-	-	-	-
PA14	SWCLK	USART2_TX	-	-	-	-	-
PA15	SPI1_NSS	USART2_RX	-	EVENTOUT	-	-	-

Table 5 GPIOB Multiplexing Function Configuration

Pin Name	AF0	AF1	AF2	AF3
PB0	EVENTOUT	TMR3_CH3	TMR1_CH2N	-
PB1	TMR14_CH1	TMR3_CH4	TMR1_CH3N	-
PB2	-	-	-	-
PB3	SPI1_SCK	EVENTOUT	-	-
PB4	SPI1_MISO	TMR3_CH1	EVENTOUT	-
PB5	SPI1_MOSI	TMR3_CH2	TMR16_BKIN	I2C1_SMBA
PB6	USART1_TX	I2C1_SCL	TMR16_CH1N	-
PB7	USART1_RX	I2C1_SDA	TMR17_CH1N	-
PB8	-	I2C1_SCL	TMR16_CH1	-
PB9	IR_OUT	I2C1_SDA	TMR17_CH1	EVENTOUT
PB10	-	I2C2_SCL	-	-
PB11	EVENTOUT	I2C2_SDA	-	-
PB12	SPI2_NSS	EVENTOUT	TMR1_BKIN	-
PB13	SPI2_SCK	-	TMR1_CH1N	-
PB14	SPI2_MISO	TMR15_CH1	TMR1_CH2N	-

Pin Name	AF0	AF1	AF2	AF3
PB15	SPI2_MOSI	TMR15_CH2	TMR1_CH3N	TMR15_CH1N

Table 6 GPIOC Multiplexing Function Configuration

Pin Name	AF0	AF1
PC0	EVENTOUT	-
PC1	EVENTOUT	-
PC2	EVENTOUT	-
PC3	EVENTOUT	-
PC4	EVENTOUT	-
PC5	-	-
PC6	TMR3_CH1	-
PC7	TMR3_CH2	-
PC8	TMR3_CH3	-
PC9	TMR3_CH4	-
PC10	-	-
PC11	-	-
PC12	-	-
PC13	-	-
PC14	-	-
PC15	-	-

Table 7 GPIOD Multiplexing Function Configuration

Pin Name	AF0	AF1
PD2	TMR3_ETR	-

Table 8 GPIOF Multiplexing Function Configuration

Pin Name	AF0	AF1
PF0	-	-
PF1	-	-
PF4	EVENTOUT	-
PF5	EVENTOUT	-
PF6	I2C2_SCL	-
PF7	I2C2_SDA	-

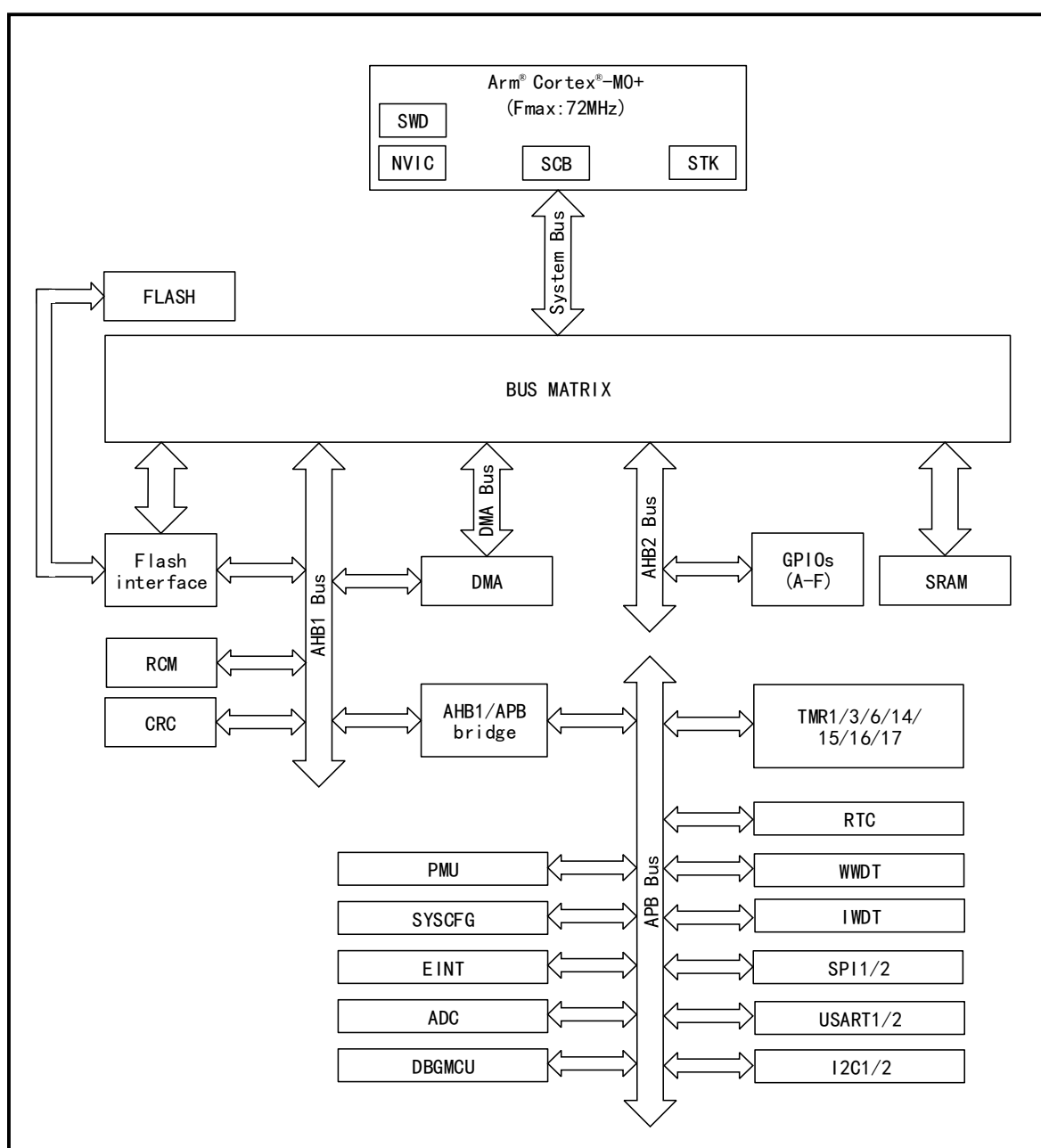
4 Function Description

This chapter mainly introduces the system architecture, interrupt, on-chip memory, clock, power supply and peripheral features of APM32E030x8 series products; for information about the Arm® Cortex®-M0+ core, please refer to the *Arm® Cortex®-M0+ Technical Reference Manual*, which can be downloaded from Arm's website.

4.1 System architecture

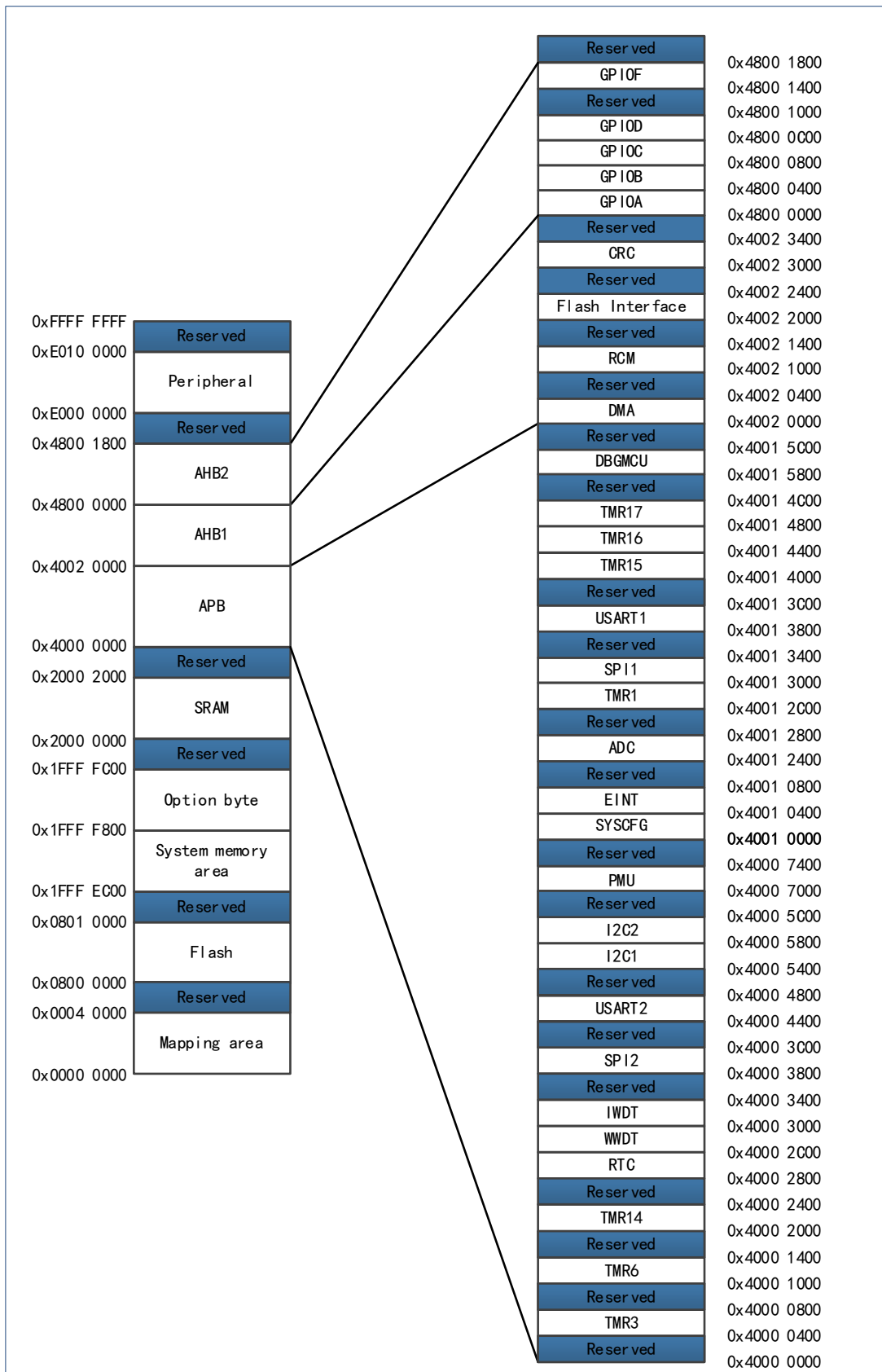
4.1.1 System block diagram

Figure 8 APM32E030x8 System Block Diagram



4.1.2 Address mapping

Figure 9 APM32E030x8 Series Address Mapping



4.1.3 Startup configuration

At startup, the user can select one of the following three startup modes by setting the high and low levels of the Boot pin:

- Startup from main memory
- Startup from BootLoader
- Startup from built-in SRAM

The user can use serial interface to reprogram the user Flash if starting up from BootLoader.

4.2 Core

The core of APM32E030x8 is Arm® Cortex®-M0+ with FPU computing unit. Based on this platform, the development cost is low and the power consumption is low. It can provide excellent computing performance and advanced system interrupt response, and is compatible with all Arm tools and software.

4.3 Interrupt controller

4.3.1 Nested Vector Interrupt Controller (NVIC)

It embeds a nested vectored interrupt controller (NVIC) that can handle up to 32 maskable interrupt channels (not including 16 interrupt lines of Cortex®-M0+) and 4 priority levels. The interrupt vector entry address can be directly transmitted to the core, so that the interrupt response processing with low delay can give priority to the late higher priority interrupt.

4.3.2 External Interrupt/Event Controller (EINT)

The external interrupt/event controller consists of 32 edge detectors, and each detector includes edge detection circuit and interrupt/event request generation circuit; each detector can be configured as rising edge trigger, falling edge trigger or both and can be masked independently. Up to 55 GPIOs can be connected to 16 external interrupt lines.

4.4 On-chip memory

On-chip memory includes main memory area, SRAM and information block; the information block includes system memory area and option byte; the system memory area stores BootLoader, 96-bit unique device ID and capacity information of main memory area; the system memory area has been written into the program when leaving the factory and cannot be erased.

Table 9 On-chip Memory Area

Memory	Maximum capacity	Function
Main memory area	64 KB	Store user programs and data
SRAM	8 KB	CPU can access at 0 wait cycle (read/write)
System memory area	3KB	Store BootLoader, 96-bit unique device ID, and main memory area capacity information

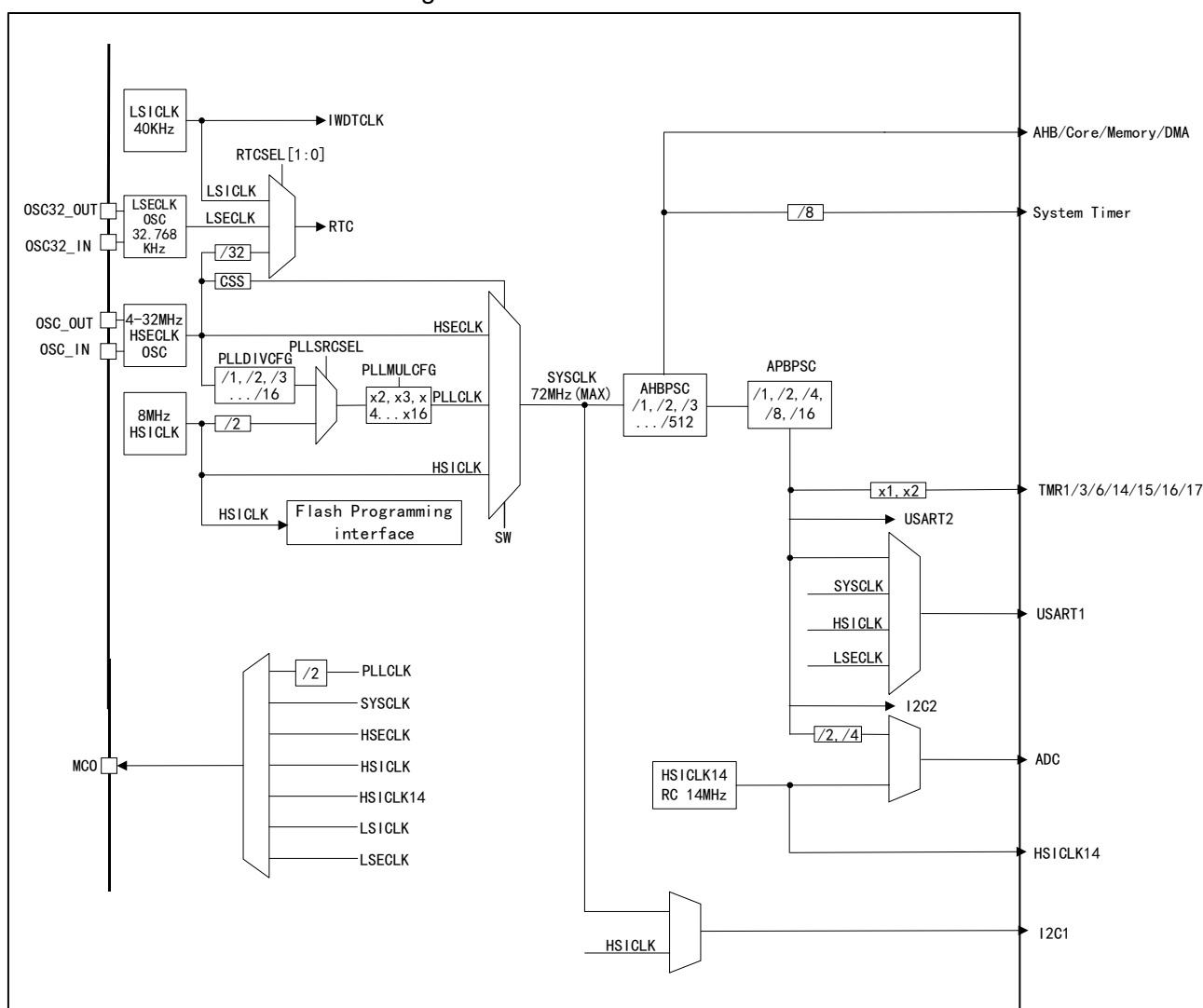
Memory	Maximum capacity	Function
Option byte	16Bytes	Configure main memory area read-write protection and MCU working mode

4.5 Clock

4.5.1 Clock tree

Clock tree of APM32E030x8 is shown in the figure below:

Figure 10 APM32E030x8 Clock Tree



4.5.2 Clock source

Clock source is divided into high-speed clock and low-speed clock according to the speed; the high-speed clock includes HSI_CLK and HSECLK, and the low-speed clock includes LSECLK and LS1CLK; It is divided into internal clock and external clock according to in-chip/out-chip. The internal clock has HSI_CLK and LS1CLK, and the external clock has HSECLK and LSECLK, among which the calibration accuracy of HSI_CLK is up to $\pm 1\%$ at the factory. HSI_CLK14 is a clock source dedicated to the ADC.

4.5.3 System clock

HSICLK, PLLCLK and HSECLK can be selected as system clock; the clock source of PLLCLK can be HSICLK or HSECLK; the required system clock can be obtained by configuring PLL clock multiplier factor and frequency division factor.

When the product is reset and started, HSICLK is selected as the system clock by default, and then the user can choose one of the above clock sources as the system clock. When HSECLK failure is detected, the system will automatically switch to the HSICLK, and if an interrupt is enabled, the software can receive the related interrupt.

4.5.4 Bus clock

AHB, APB buses are built in. The clock source of AHB is SYSCLK, and the clock source of APB is HCLK frequency division; the required clock can be obtained by configuring the frequency division factor. The maximum frequency of AHB and APB is 168MHz.

4.6 Power and power management

4.6.1 Power supply scheme

Table 10 Power Supply Scheme

Name	Voltage range	Description
V _{DD} /V _{SS}	2.0~3.6V	I/O (see pin distribution diagram for specific IO) and internal voltage regulator are powered through V _{DD} pin.
V _{DDA} /V _{SSA}	2.0~3.6V	Supply power for ADC, DAC, reset module, RC oscillator and PLL analog part; when ADC or DAC is used, V _{DDA} and V _{SSA} must be connected to V _{DD} and V _{SS} .

Note: See Figure 11 (Power Scheme) for more information on how to connect the power pins.

4.6.2 Voltage regulator

Table 11 Regulator Operating Mode

Name	Description
Master mode (MR)	Used in run mode
Low-power mode (LPR)	Used in stop mode
Power-down mode	Used in standby mode; when the voltage regulator has high-impedance output, the core circuit is powered down, the power consumption of the voltage regulator is zero, and all data of registers and SRAM will be lost.

Note: The voltage regulator is always in working state after reset, and outputs with high impedance in power-down mode.

4.6.3 Power supply voltage monitor

Power-on reset (POR), power-down reset (PDR) are integrated inside the product. These two circuits are always in working condition. When the power-down reset circuit monitors that the power supply voltage is lower than the specified threshold value (V_{POR/PDR}), even if the external reset circuit is used, the system will remain reset.

4.7 Low-power mode

APM32E030x8 supports three low-power modes, namely, sleep mode, stop mode and standby mode, and there are differences in power, wake-up time and wake-up mode among these three modes. The low-power mode can be selected according to the actual application requirements.

Table 12 Low-power Mode

Mode	Description
Sleep mode	The core stops working, all peripherals are working, and it can be woken up through interrupts/events
Stop mode	Under the condition that SRAM and register data are not lost, the lowest power consumption can be achieved in stop mode; The clock of the internal 1.2V power supply module will stop, HSECLK crystal resonator, HSICLK and PLL will be disabled, and the voltage regulator can be configured in normal mode or low-power mode; Any external interrupt line can wake up MCU, and the external interrupt lines include one of the 16 external interrupt lines, PVD output, RTC and USB_OTG.
Standby mode	The power consumption in this mode is the lowest; Internal voltage regulator is turned off, all 1.2V power supply modules are powered down, HSECLK crystal resonator, and HSICLK clocks are disabled, SRAM and register data disappear, RTC area and backup register contents remain, and the standby circuit still works; The external reset signal on NRST, IWDT reset, rising edge on WKUP pin or RTC event will wake MCU out of standby mode.

Note: In down or standby mode, RTC, IWDT and corresponding clocks still work properly.

4.8 DMA

A built-in DMA supports five DMA channels, each channel supports multiple DMA requests, but only one DMA request is allowed to enter the DMA channel at the same time. The peripherals supporting DMA requests are ADC, SPI, USART, I2C, TMRx. Four levels of DMA channel priority can be configured, and data transmission of "Memory → Memory, Memory → Peripheral, Peripheral → Memory" can be supported (memory includes Flash and SRAM).

4.9 GPIO

GPIO can be configured as general input mode, general output mode, multiplexing function mode and analog mode. The input mode can be configured as floating input, pull-up input and pull-down input; the output mode can be configured as push-pull output and open-drain output; the multiplexing function can be used for digital peripherals; and the analog mode can be used for analog peripherals; the enable and disable pull-up/pull-down resistor can be configured; the speed of Low speed, medium speed, high speed can be configured; the higher the speed is, the greater the power and the noise will be.

4.10 Communication peripherals

4.10.1 USART

Up to 2 universal synchronous/asynchronous transmitter receivers are built in the chip. The USART interfaces can communicate at a rate of 6Mbit/s. All USART interfaces can configure baud rate, parity check bit, stop bit, and data bit length; they all can support DMA. USART function differences are shown in the table below:

Table 13 USART/UART Function Differences

USART mode/function	USART1	USART2
Hardware flow control of modem	√	√
Multiprocessor communication	√	√
Synchronization mode	√	√
Receiver timeout interrupt	√	-
Auto baud rate detection (supported mode)	2	-
Single wire half duplex mode	√	√
Support DMA function	√	√

Note: √ = support.

4.10.2 I2C

I2C1/2 all can work in multiple-master or slave modes, support 7-bit or 10-bit addressing, and support dual-slave addressing supports standard mode (up to 100kbit/s) and fast mode (up to 400kbit/s); In addition, the I2C1 has built-in programmable analog and digital noise filters and supports ultra-fast mode (up to 1Mbit/s); They can operate using DMA and support SMBus version 2.0 /PMBus1.1 buses. hardware CRC generator/checker are built in; they can operate with DMA and support SMBus 2.0 version/ PMBus.

Table 14 APM32E030x8 I2C Function

I2C function	I2C1	I2C2 ⁽²⁾
7-bit addressing mode	√ ⁽¹⁾	√
10-bit addressing mode	√	√
Standard mode (up to 100kbit/s)	√	√
Fast mode (up to 400kbit/s)	√	√
Ultra-fast mode (up to 1Mbit/s), I/O port supports 20mA output current drive	√	-
Independent clock	√	-
SM bus	√	-

Note:

(1) √ = support

(2) Available only on APM32E030x8 chip.

4.10.3 SPI

2 built-in SPI, support full-duplex and half-duplex communication in master mode and slave mode, can use DMA controller, and can configure 4~16 bits per frame, communicate at a rate of up to 18Mbit/s.

Table 15 APM32E030x8 SPI Function

SPI function	SPI	SPI2 ⁽²⁾
Calculation of hardware cyclic redundancy check	√ ⁽¹⁾	√
Receive/Send first in first out (FIFO)	√	√
NSS pulse mode	√	√
TI mode	√	√

Note:

- (1) √ = supported.
- (2) Available only on APM32F030x8 chip.

4.11 Analog peripherals

4.11.1 ADC

A built-in ADC with 12-bit accuracy, up to 16 external channels and 2 internal channels. The internal channels measure the temperature sensor voltage, reference voltage respectively. A/D conversion mode of each channel has single, continuous, scan or intermittent modes, ADC conversion results can be left aligned or right aligned and stored in 16-bit data register; they support analog watchdog, and DMA.

4.11.1.1 Temperature sensor

1 temperature sensor (TSensor) is built in, which is internally connected with ADC_IN16 channel. The voltage generated by the sensor changes linearly with temperature and the converted voltage value can be obtained by ADC and converted into temperature.

Table 16 Calibration Value of Tsensor Voltage

Calibration Value Name	Description	Memory Address
V _{sensor_CAL1}	Tsensor ADC raw data acquired at V _{DDA} =3.3V(±10mV) under 30°C(±5°C)	0x1FFF F7B8 - 0x1FFF F7B9

4.11.1.2 Internal reference voltage

Built-in reference voltage V_{REFINT}, internally connected to ADC_IN17 channel; V_{REFINT} can be obtained through ADC; V_{REFINT} provides stable voltage output for ADC.

Table 17 Calibration Value of Internal Reference Voltage

Calibration Value Name	Description	Memory Address
V _{REFINT_CAL}	Original data collected at V _{DDA} =3.3V(±10mV) under 30°C (±5°C)	0x1FFF F7BA - 0x1FFF F7BB

4.12 Timer

A built-in 16-bit advanced timers (TMR1), 5 16-bit general-purpose timers (TMR3/14/15/16/17), 1 16-bit basic timers (TMR6), 1 independent watchdog timer, 1 window watchdog timer and 1 system tick timer.

Watchdog timer can be used to detect whether the program is running normally.

The system tick timer is the peripheral of the core with automatic reloading function. When the counter is 0, it can generate a maskable system interrupt, which can be used for real-time operating system and general delay.

Table 18 Function Comparison between Advanced/General-purpose/Basic and System Tick Timers

Timer type	System tick timer	Basic timer	General-purpose timer				Advanced timer
Timer name	Sys Tick Timer	TMR6	TMR3	TMR14	TMR15	TMR16/17	TMR1
Counter resolution	24 bits	16 bits	16 bits				16 bits
Counter type	Down	Up	Up, down, up/down	Up			Up, down, up/down
Prescaler factor	-	Any integer between 1 and 65536	Any integer between 1 and 65536				Any integer between 1 and 65536
General DMA request	-	OK	OK	Not OK	OK		OK
Capture/Comparison channel	-	-	4	1	2	1	4
Complementary outputs	-	No	No		Yes		Yes
Pin characteristics	-	-	1 external trigger signal input pin, 4 channels (non-complementary)	1 channel (non-complementary) pin	1 brake input signal pin, 1 pair of complementary	1 brake input signal pin, 1 pair of complementary	A total of 9 pins:1 external trigger signal input pin, 1 brake input signal pin,

Timer type	System tick timer	Basic timer	General-purpose timer				Advanced timer
			channels) pins		channel pins, 1 channel (non- comple mentary channel) pin	channel pins	3 pairs of complementary channel pins, 1 channel (non- complementary channel) pin
Function Instruction	<p>Special for real-time operating system</p> <p>Automatic reloading function supported</p> <p>When the counter is 0, it can generate a maskable system interrupt</p> <p>Can program the clock source</p>	Can be used as a 16-bit general-purpose timebase counter.	<p>There are 4 independent channels, each for input capture/output comparison, PWM or single pulse mode output.</p> <p>Has a separate DMA request.</p>	Single channel, PWM or single pulse mode output function for input capture/output comparison.	<p>It has complementary output function with dead zone generation and independent DMA request generation. These three timers can work together, and TMR15 operates with TMR1 through link function, which can realize synchronization or event link function. TMR15 has two independent channels, while TMR16 and TMR17 are synchronized. TMR15 can be synchronized with TMR16 and TMR17.</p>		<p>It has complementary PWM output with dead band insertion</p> <p>When configured as a 16-bit standard timer, it has the same function as the TMRx timer.</p> <p>When configured as a 16-bit PWM generator, it has full modulation capability (0~100%).</p> <p>In debug mode, the timer can be frozen, and PWM output is disabled.</p> <p>Synchronization or event chaining function provided.</p>

Table 19 Function Comparison between IWDT and WWDT

Name	Counter resolution	Counter type	Prescaler factor	Function description
Independent watchdog	12 bits	Down	Any integer between 1 and 256	The clock is provided by an internally independent RC oscillator of 40KHz, which is independent of the master clock, so it can run in stop and standby modes.

Name	Counter resolution	Counter type	Prescaler factor	Function description
				<p>The whole system can be reset in case of problems.</p> <p>It can provide timeout management for applications as a free-running timer.</p> <p>It can be configured as a software or hardware startup watchdog through option bytes.</p> <p>Timers in debug mode can be frozen.</p>
Window watchdog	7 bits	Down	-	<p>Can be set for free running.</p> <p>The whole system can be reset in case of problems.</p> <p>Driven by the master clock, it has early interrupt warning function;</p> <p>Timers in debug mode can be frozen.</p>

4.13 RTC

1 RTC is built in, and there are LSECLK signal input pins (OS32_IN and OS32_OUT) and 1 TAMP input signal detection pins (TAMP); the clock source can select external 32.768kHz crystal oscillator, resonator or oscillator, LSICLK and HSECLK/32.

Users can dynamically adjust the RTC clock pulse from 1 to 32767. By adjusting the RTC clock pulse to synchronize the RTC and master clock, it compensates for the accuracy of the crystal oscillator, and its digital calibration circuit has a resolution of 1ppm. The RTC has two programmable filter tamper-proof detection pins that wake up the MCU in down and standby mode when this pin detects a tampering event. In addition to this, RTC has a time stamp function that can be used to save calendar content. The time stamp function of the RTC can be triggered by events on the pin or tampering events. Upon detection of a time event rainbow, the MCU can wake up from both down and standby modes. Its reference clock detection may improve the accuracy of the calendar by using a more accurate second source clock (50 or 60Hz).

4.14 CRC

1 CRC (cyclic redundancy check) computing unit is built in, which can generate CRC codes and operate 8-bit, 16-bit and 32-bit data.

5 Electrical Characteristics

5.1 Test conditions of electrical characteristics

5.1.1 Maximum and minimum values

Unless otherwise specified, all products are tested on the production line at $T_A=25^{\circ}\text{C}$. Its maximum and minimum values can support the worst environmental temperature, power supply voltage and clock frequency.

In the notes at the bottom of each table, it is stated that the data are obtained through comprehensive evaluation, design simulation or process characteristics and are not tested on the production line; on the basis of comprehensive evaluation, after passing the sample test, take the average value and add and subtract three times the standard deviation (average $\pm 3\Sigma$) to get the maximum and minimum values.

5.1.2 Typical value

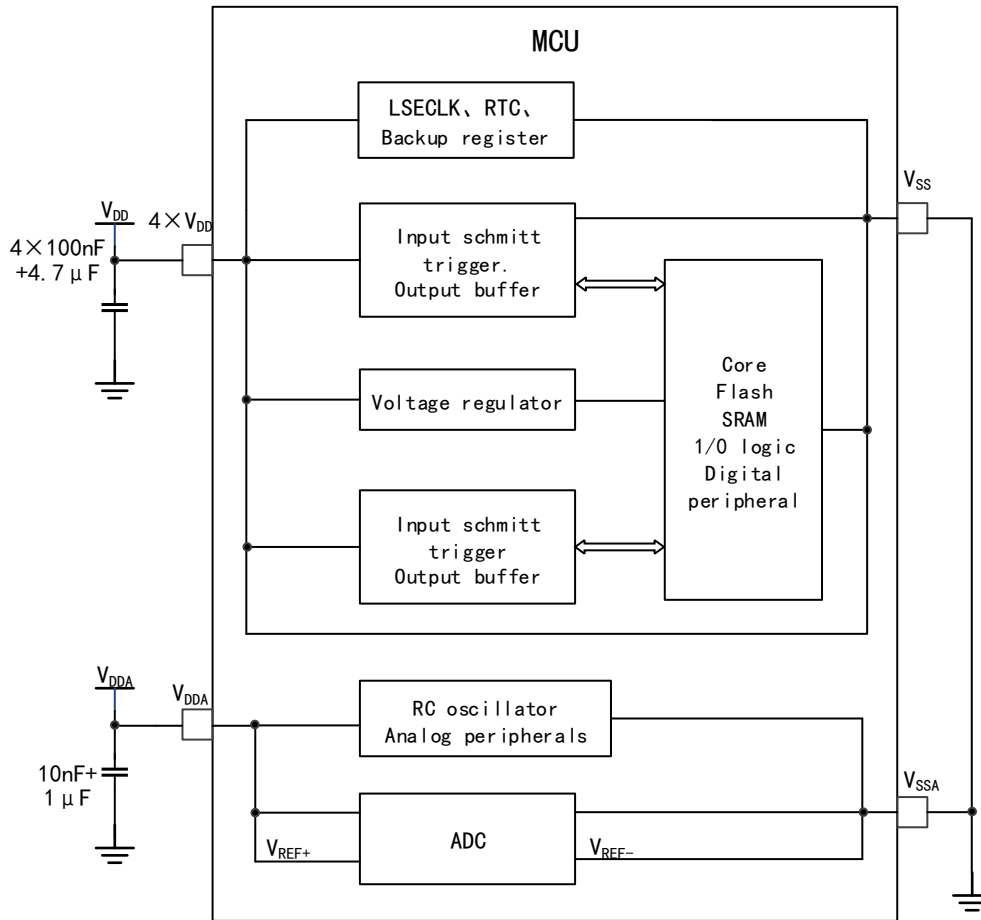
Unless otherwise specified, typical data are measured based on $T_A=25^{\circ}\text{C}$, $V_{DD}=V_{DDA}=3.3\text{V}$. These data are only used for design guidance.

5.1.3 Typical curve

Unless otherwise specified, typical curves will only be used for design guidance and will not be tested.

5.1.4 Power supply scheme

Figure 11 Power Supply Scheme



5.1.5 Load capacitance

Figure 12 Load conditions when measuring pin parameters

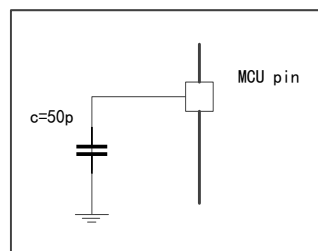


Figure 13 Pin Input Voltage Measurement Scheme

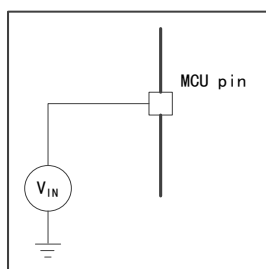
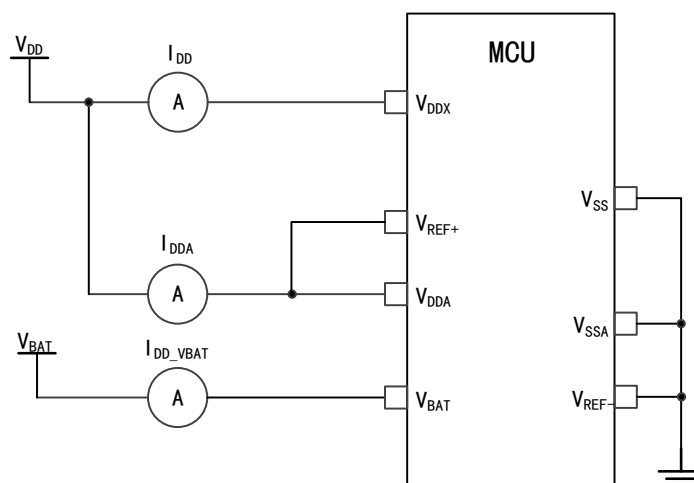


Figure 14 Power Consumption Measurement Scheme



5.2 Test under general operating conditions

Table 20 General Operating Conditions

Symbol	Parameter	Conditions	Minimum value	Maximum value	Unit
f_{HCLK}	Internal AHB clock frequency	-	-	72	MHz
f_{PCLK}	Internal APB clock frequency	-	-	72	
V_{DD}	Main power supply voltage	-	2	3.6	V
V_{DDA}	Analog power supply voltage	V_{DDA} must not be smaller than V_{DD}	2.4	3.6	V

5.3 Absolute maximum ratings

If the load on the device exceeds the absolute maximum rating, it may cause permanent damage to the device. Here, only the maximum load that can be borne is given, and there is no guarantee that the device functions normally under this condition.

5.3.1 Maximum temperature characteristics

Table 21 Temperature Characteristics

Symbol	Description	Value	Unit
T _{STG}	Storage temperature range	-65 ~ +150	°C
T _J	Maximum junction temperature	125	°C

5.3.2 Maximum rated voltage characteristics

All power supply (V_{DD}, V_{DDA}) and ground (V_{SS}, V_{SSA}) pins must always be connected to the power supply within the external limited range.

Table 22 Maximum Rated Voltage Characteristics

Symbol	Description	Minimum value	Maximum value	Unit
V _{DD} -V _{SS}	External main supply voltage (V _{DD})	-0.3	4.0	V
V _{DDA} -V _{SSA}	External analog supply voltage (V _{DDA})	-0.3	4.0	
V _{DD} -V _{DDA}	Allowable voltage difference of V _{DD} >V _{DDA}	-	0.4	
V _{IN}	Input voltage on 5T pins	V _{SS} -0.3	V _{DD} + 4.0	
	Boot0	0	V _{DD} + 4.0	
	Input voltage on any other pin	V _{SS} -0.3	V _{DD} + 0.3	
ΔV _{DDx}	Voltage difference between different power supply pins	-	50	mV
V _{SSx} -V _{SS}	Voltage difference between different grounding pins	-	50	

Note:

- (1) Some power supply (V_{DD}, V_{DDA}) and ground (V_{SS}, V_{SSA}) pins must always be connected to a power supply within an external limited range.
- (2) If V_{IN} is within the maximum range, I_{INJ(PIN)} will not exceed its limit. If V_{IN} exceeds the maximum value, the value of the I_{INJ(PIN)} must be externally restricted to ensure that its maximum value is not exceeded. The forward injection current occurs when V_{IN} is greater than V_{DD}, and the reverse injection current occurs when V_{IN} is less than V_{SS}.

5.3.3 Maximum rated current characteristics

Table 23 Current Characteristics

Symbol	Description	Maximum value	Unit
Σ I _{VDD}	Total current into sum of all V _{DD} power lines (source) ⁽¹⁾	120	mA
Σ I _{VSS}	Total current out of sum of all V _{SS} ground lines (sink) ⁽¹⁾	-120	
I _{VDD (PIN)}	Maximum current into each V _{DD} power pin (source) ⁽¹⁾	100	
I _{VSS (PIN)}	Maximum current out of each V _{SS} ground pin (sink) ⁽¹⁾	-100	
I _{IO}	Output current sunk by any I/O and control pin	25	
	Output current source by any I/O and control pin	-25	
I _{INJ(PIN)} ⁽³⁾	Injected current on 5T pins	-5/+0 ⁽⁴⁾	
	Injected current on TC and RST pin	±5	

Symbol	Description	Maximum value	Unit
	Injected current on TTa pins ⁽⁵⁾	±5	
$\Sigma I_{INJ(PIN)}^{(2)}$	Total injected current (sum of all I/O and control pins) ⁽⁶⁾	±25	

Note:

- (1) All power (VDD, VDDA) and ground (VSS, VSSA) pins must always be connected to a power supply within the external allowable range.
- (2) If VIN does not exceed the maximum value, IINJ(PIN) will not exceed its limit. If VIN exceeds the maximum value, IINJ(PIN) must be externally limited to not exceed its maximum value. When VIN > VDD, there is a forward injection current; when VIN < VSS, there is a reverse injection current.
- (3) Reverse injection current can interfere with the analog performance of the ADC.
- (4) When several I/O ports have injection current at the same Time, the maximum value of $\Sigma IINJ(PIN)$ is the sum of the instantaneous absolute values of the forward injection current and the reverse injection current. These results are based on the calculation of the maximum value of $\Sigma IINJ(PIN)$ on the four I/O port pins of the device.
- (5) On these I/Os, a positive injection is induced by VIN > VDDA. Negative injection disturbs the analog performance of the device.
- (6) When several inputs are submitted to a current injection, the maximum $\Sigma IINJ(PIN)$ is the absolute sum of the positive and negative injected currents (instantaneous values).

5.3.4 Electro-static discharge (ESD)

Table 24 ESD Absolute Maximum Ratings

Symbol	Parameter	Conditions	Range	Unit
$V_{ESD(HBM)}$	Electrostatic discharge voltage (manikin)	$T_A=+25^{\circ}C$	±4000	V
$V_{ESD(CDM)}$	Electrostatic discharge voltage (charging equipment model)	$T_A=+25^{\circ}C$	±1000	V

Note: The samples are measured by a third-party testing organization and are not tested in production.

5.3.5 Static latch-up (LU)

Table 25 Static Latch-up

Symbol	Parameter	Conditions	Type
LU	Class of static latch-up	$T_A= +25^{\circ}C/+105^{\circ}C$, Comply with EIA/JESD78E	Class II A

Note: The samples are measured by a third-party testing organization and are not tested in production.

5.4 memory

5.4.1 Flash characteristics

Table 26 Flash Memory Characteristics

Symbol	Parameter	Condition	Minimum value	Typical value	Maximum value	Unit
t_{prog}	16-bit programming time	$T_A=-40\sim 85^{\circ}C$ $V_{DD}=2.0\sim 3.6V$	59	60	61	μs

Symbol	Parameter	Condition	Minimum value	Typical value	Maximum value	Unit
t _{ERASE}	Page (1Kbytes) erase time	T _A =-40~85°C V _{DD} =2.0~3.6V	3.2	-	4	ms
t _{ME}	Whole erase time	T _A =-40~85°C V _{DD} =2.0~3.6V	8	-	10	ms
V _{prog}	Programming voltage	T _A =-40~85°C	1.84	-	3.6	V
t _{RET}	Data saving time	T _A =55°C	20	-	-	years
N _{RW}	Erase cycle	T _A =25°C	10K	-	-	cycles
-	0 Waiting period Maximum running time of the FLASH	-	30	40	48	MHz

Note: The data are obtained from a comprehensive evaluation and are not tested in production.

5.5 Clock

5.5.1 Characteristics of external clock source

High-speed external clock generated by crystal resonator(HSECLK)

For detailed parameters (frequency, package, precision, etc.) of crystal resonator, please consult the corresponding manufacturer.

Table 27 HSECLK4~32MHz Oscillator Characteristics

Symbol	Parameter	Conditions	Minimum value	Typical value	Maximum value	Unit
f _{OSC_IN}	Oscillator frequency	-	4	8	32	MHz
R _F	Feedback resistance	-	-	200	-	kΩ
I _{DD(HSECLK)}	HSECLK current consumption	V _{DD} =3.3V, Single side load capacitance of crystal oscillator pinCL=20pF@8MHz	-	0.5	-	mA
t _{SU(HSECLK)}	Start-up Time	V _{DD} is stable	-	1	2	ms

Note: The data are obtained from a comprehensive evaluation and are not tested in production.

Low-speed external clock generated by crystal resonator(LSECLK)

For detailed parameters (frequency, package, precision, etc.) of crystal resonator, please consult the corresponding manufacturer.

Table 28 LSECLK Oscillator Characteristics (f_{LSECLK} =32.768KHz)⁽¹⁾

Symbol	Parameter	Conditions	Minimum value	Typical value	Maximum value	Unit
f _{OSC_IN}	Oscillator frequency	-	-	32.768	-	KHz

Symbol	Parameter	Conditions	Minimum value	Typical value	Maximum value	Unit
$I_{DD(LSECLK)}$	LSECLK current consumption	-	-	1.2	1.5	μA
$t_{SU(LSECLK)}^{(2)}$	Start-up Time	V_{DD} is stable	-	0.2	0.5	s

Note:

(1) The data are obtained from a comprehensive evaluation and are not tested in production.

(2) $t_{SU(LSECLK)}$ is the startup time, which is measured from the time when LSECLK is enabled by software to the time when stable oscillation at 32.768KHz is obtained. This value is measured by using a standard crystal resonator, which may vary greatly due to different crystal manufacturers.

5.5.2 Characteristics of internal clock source

High-speed internal (HSICLK) RC oscillator

Table 29 HSICLK Oscillator Characteristics

Symbol	Parameter	Conditions		Minimum value	Typical value	Maximum value	Unit
f_{HSICLK}	Frequency	-		-	8	-	MHz
$Acc_{(HSICLK)}$	Accuracy of HSICLK oscillator	Factory calibration	$V_{DD}=3.3V, T_A=25^{\circ}C^{(1)}$	-1	-	1	%
			$V_{DD}=2-3.6V, T_A=-40\sim 85^{\circ}C$	-1.5	-	1.5	%
$I_{DDA(HSICLK)}$	Power consumption of HSICLK oscillator	-		-	75	94	μA
$t_{SU(HSICLK)}$	Startup time of HSICLK oscillator	$V_{DD}=3.3V, T_A=-40\sim 85^{\circ}C$		-	0.3	1.1	μs

Note: The data are obtained from a comprehensive evaluation and are not tested in production.

Table 30 HSICLK14 Oscillator Characteristics

Symbol	Parameter	Conditions		Minimum value	Typical value	Maximum value	Unit
$f_{HSICLK14}$	Frequency	-		-	14	-	MHz
$Acc_{(HSICLK14)}$	Accuracy of HSICLK14 oscillator	Factory calibration	-1	-	1	1	%
			-5	-	5	1.5	%
$I_{DDA(HSICLK14)}$	Power consumption of HSICLK14 oscillator	-		73	90	114	μA
$t_{SU(HSICLK14)}$	Startup time of	$V_{DD}=3.3V, T_A=-40\sim 85^{\circ}C$		0.5	0.7	1	μs

Symbol	Parameter	Conditions	Minimum value	Typical value	Maximum value	Unit
	HSICLK14 oscillator					

Note: The data are obtained from a comprehensive evaluation and are not tested in production.

Low-speed internal (LSICLK) RC oscillator

Table 31 LSICLK Oscillator Characteristics

Symbol	Parameter	Minimum value	Typical value	Maximum value	Unit
f_{LSICLK}	Frequency ($V_{DD}=2-3.6V$, $T_A=-40\sim 85^{\circ}C$)	30	35	50	KHz
$I_{DD(LSICLK)}$	Power consumption of LSICLK oscillator	-	0.4	0.64	μA
$t_{SU(LSICLK)}$	Startup time of LSICLK oscillator, ($V_{DD}=3.3V$, $T_A=-40\sim 85^{\circ}C$)	-	-	30	μs

Note: The data are obtained from a comprehensive evaluation and are not tested in production.

5.5.3 PLL Characteristics

Table 32 PLL Characteristics

Symbol	Parameter	Value			Unit
		Minimum value	Typical value	Maximum value	
f_{PLL1_IN}	PLL input clock	1	8	25	MHz
	PLL input clock duty cycle	40	-	60	%
f_{PLL_OUT}	PLL frequency multiplier output clock ($V_{DD}=3.3V$, $T_A=-40\sim 85^{\circ}C$)	16	-	72	MHz
t_{LOCK1}	PLL phase locking time	-	-	200	μs

Note: The data are obtained from a comprehensive evaluation and are not tested in production.

5.6 Reset and power management

5.6.1 Test of Embedded Reset and Power Control Module Characteristics

Table 33 Embedded Reset and Power Control Module Characteristics

Symbol	Parameter	Conditions	Minimum value	Typical value	Maximum value	Unit
$V_{POR/PDR}^{(1)}$	Power-on/power-down reset threshold	Falling edge ⁽²⁾	-	1.87	-	V
		Rising edge	-	1.92	-	V
$V_{PDRhyst}^{(3)}$	PDR hysteresis	-	-	50.00	-	mV
$T_{RSTTEMPO}^{(3)}$	Reset duration (3.3~3.6V)	-	1.6	4.44	5.68	ms
	Reset duration (2V)	-	8.4	12.86	16.8	

Note:

- (1) PDR detector monitors V_{DD} and V_{DDA} (if enabled in option byte), POR detector monitors V_{DD} only.
- (2) Product characteristics are guaranteed by design to the minimum $V_{POR/PDR}$ value.
- (3) Guaranteed by design and not tested in production.

5.7 Power consumption

5.7.1 Power consumption test environment

- (1) The values are measured by executing Dhrystone 2.1, with the Keil.V5 compilation environment and the L0 compilation optimization level.
- (2) All I/O pins are in analog input mode and are connected to a static level at V_{DD} or V_{SS} (no load)
- (3) Unless otherwise specified, all peripherals are disabled
- (4) The relationship between Flash wait cycle setting and f_{HCLK} :
 - 0~24MHz: 0 wait cycle
 - 24~48MHz: 1 wait cycle
 - 48~72MHz: 2 wait cycles
- (5) When it is greater than 24MHz, the instruction prefetch function is enabled (Note: this bit must be set before clock setting and bus frequency division).
- (6) When the peripheral is turned on: $f_{PCLK}=f_{HCLK}$.

5.7.2 Power consumption in run mode

Table 34 Power Consumption in Run Mode when the Program is Executed in Flash

Parameter	Condition	f _{HCMU}	Typical value ⁽¹⁾		Maximum value ⁽¹⁾	
			T _A =25°C, V _{DD} =3.3V		T _A =85°C, V _{DD} =3.6V	
			I _{DDA} (μA)	I _{DD} (mA)	I _{DDA} (μA)	I _{DD} (mA)
Running mode	External clock ⁽²⁾ , enabling all peripherals	72MHz	219.7	6.09	246.0	6.39
		48MHz	171.8	5.09	194.1	5.24
		24MHz	130.4	3	149.4	3.13
		8MHz	118.8	1.91	137.2	2.02
	External clock ⁽²⁾ , turn off all peripherals	72MHz	219.5	4.01	246.3	4.13
		48MHz	171.8	3.67	194.1	3.81
		24MHz	130.5	2.26	149.5	2.39
		8MHz	118.7	1.65	137.2	1.76
	Internal clock to enable all peripherals	64MHz	193.5	11.5	225.4	12.5
		48MHz	161.22	9.6	187.84	10.04
		24MHz	115.39	5.24	137.09	5.45
		8MHz	57.97	1.88	72.8	1.97
	Internal clock, turn off all peripherals	64MHz	193.8	7.81	225.1	8.18
		48MHz	161.54	6.51	187.58	6.82
		24MHz	115.50	3.66	136.98	3.85
		8MHz	58.00	1.33	72.45	1.40

Note:

(1) It is tested in comprehensive evaluation instead of in production.

(2) HSECLK external crystal oscillator is 8MHz, and when f_{HCLK}>8MHz, turn on PLL, otherwise, turn off PLL.

Table 35 Power Consumption in Run Mode when the Program is Executed in SRAM

Parameter	Condition	f _{HCMU}	Typical value ⁽¹⁾		Maximum value ⁽¹⁾	
			T _A =25°C, V _{DD} =3.3V		T _A =85°C, V _{DD} =3.6V	
			I _{DDA} (μA)	I _{DD} (mA)	I _{DDA} (μA)	I _{DD} (mA)
Running mode	External clock ⁽²⁾ , enabling all peripherals	72MHz	148.02	10.47	175.88	10.85
		48MHz	105.73	7.48	125.63	7.75
		24MHz	59.67	4.08	74.76	4.30
		8MHz	1.44	1.80	7.20	1.88
	External clock ⁽²⁾ , turn off all peripherals	72MHz	148.09	6.16	176.37	6.44
		48MHz	105.78	4.40	125.98	4.60
		24MHz	59.71	2.54	74.96	2.69
		8MHz	1.45	1.27	7.11	1.35
	Internal clock to enable all peripherals	64MHz	193.7	8.47	224.7	8.87
		48MHz	161.43	7.06	187.25	7.39
		24MHz	115.40	3.65	136.83	3.85
		8MHz	57.99	1.37	72.45	1.43
	Internal clock, turn off all peripherals	64MHz	193.9	4.73	225.1	4.97
		48MHz	161.62	3.94	187.61	4.14
		24MHz	115.49	2.07	137.02	2.23
		8MHz	58.04	0.79	72.40	0.86

Note:

(1) It is tested in comprehensive evaluation instead of in production.

(2) HSECLK external crystal oscillator is 8MHz, and when f_{HCLK}>8MHz, turn on PLL, otherwise, turn off PLL.

5.7.3 Power consumption in sleep mode

Table 36 Power Consumption in Sleep Mode when the Program is Executed in Flash (ART is turned off)

Parameter	Condition	f _{HCMU}	Typical value ⁽¹⁾		Maximum value ⁽¹⁾	
			T _A =25°C, V _{DD} =3.3V		T _A =85°C, V _{DD} =3.6V	
			I _{DDA} (μA)	I _{DD} (mA)	I _{DDA} (μA)	I _{DD} (mA)
Running mode	External clock ⁽²⁾ , enabling all peripherals	72MHz	148.08	5.24	176.23	6.72
		48MHz	105.77	5.41	125.88	5.54
		24MHz	59.70	3.03	74.91	3.16
		8MHz	1.45	1.42	7.12	1.50
	External clock ⁽²⁾ , turn off all peripherals	72MHz	148.20	2.80	176.26	2.98
		48MHz	105.86	2.00	125.90	2.13
		24MHz	59.80	1.35	75.08	1.47
		8MHz	1.44	0.84	7.14	0.94
	Internal clock to enable all peripherals	64MHz	193.9	5.92	224.7	6.17
		48MHz	161.55	4.93	187.25	5.14
		24MHz	115.48	2.60	136.87	2.72
		8MHz	58.00	0.99	72.41	1.05
	Internal clock, turn off all peripherals	64MHz	194.1	1.82	225.4	2.03
		48MHz	161.71	1.52	187.85	1.69
		24MHz	115.54	0.86	137.13	0.99
		8MHz	58.00	0.37	72.35	0.46

Note:

(1) It is tested in comprehensive evaluation instead of in production.

(2) HSECLK external crystal oscillator is 8MHz, and when f_{HCLK}>8MHz, turn on PLL, otherwise, turn off PLL.

5.7.4 Power consumption in stop and Standby mode

Table 37 Power Consumption in Stop and Standby Mode

Parameter	Condition		Typical value (T _A =25°C) ⁽¹⁾				Maximum value ⁽¹⁾ (T _A =85°C)	
			V _{DD} =2.4 V		V _{DD} = 3.3V		V _{DD} =3.6 V	
			I _{DDA} (μA)	I _{DD} (μA)	I _{DDA} (μA)	I _{DD} (μA)	I _{DDA} (μA)	I _{DD} (μA)
stop mode Power Consumption	V _{DDA} monitoring ON	The voltage regulator is in running mode, and the low-speed and high-speed internal RC oscillators and high-speed oscillators are off	2.43	21.1	2.98	28	7.00	81.62
		The voltage regulator is in low power consumption mode, and the low-speed and high-speed internal RC oscillators and high-speed oscillators are off	2.43	6.47	2.98	12	7.00	63.56
Standby mode Power Consumption		Low-speed internal RC oscillator and independent watchdog are on	2.62	2.42	3.33	3.72	6.63	22.2
		The low-speed internal RC oscillator and the independent watchdog are off	2.28	1.96	2.83	4.38	6.11	8.8
stop mode Power Consumption	V _{DDA} monitoring OFF	The voltage regulator is in low power consumption mode, and the low-speed and high-speed internal RC oscillators and high-speed oscillators are off	1.25	6.33	1.45	7.38	5.13	63.87
Standby mode Power Consumption		Low-speed internal RC oscillator and independent watchdog are on	1.45	2.36	1.80	3.70	4.98	22.2

Parameter	Condition	Typical value (T _A =25°C) ⁽¹⁾				Maximum value ⁽¹⁾ (T _A =85°C)	
		V _{DD} =2.4 V		V _{DD} = 3.3V		V _{DD} =3.6 V	
		I _{DDA} (μA)	I _{DD} (μA)	I _{DDA} (μA)	I _{DD} (μA)	I _{DDA} (μA)	I _{DD} (μA)
	The low-speed internal RC oscillator and the independent watchdog are off	1.10	1.93	1.31	3.05	4.44	21.5

Note: (1) It is tested in comprehensive evaluation instead of in production.

5.7.5 Peripheral power consumption

The HSECLK Bypass 1M is adopted as clock source, $f_{PCLK}=f_{HCLK}=1M$.

Peripheral power consumption = current that enables the peripheral clock-current that disables the peripheral clock.

Table 38 Peripheral Power Consumption

Parameter	Peripheral	Typical value ⁽¹⁾ T _A =25°C, V _{DD} =3.3V	Unit
AHB	DMA	0.106	mA/72MHz
	GPIOA	0.078	
	GPIOB	0.12	
	GPIOC	0.066	
	GPIOD	0.072	
	GPIOE	0.062	
	GPIOF	0.12	
	CRC	0.048	
APB1	TMR3	0.15	
	TMR6	0.062	
	TMR14	0.076	
	WWDT	0.082	
	IWDT	0.124	
	SPI2	0.08	
	USART2	0.1	
	I2C1	0.088	
	I2C2	0.078	
	PMU	0.08	
APB2	ADC	0.102	
	TMR1	0.174	
	SPI1	0.142	
	USART1	0.18	
	TMR15	0.126	
	TMR16	0.092	
	TMR17	0.09	

Note: The data are obtained from a comprehensive evaluation and are not tested in production.

5.8 Wake-up time in low-power mode

The measurement of wake-up time in low-power mode is from the start of wake-up event to the time when the user program reads the first instruction, in which V_{DD}=V_{DDA}.

Table 39 Wake-up Time in Low-power Mode(T_A=25°C)

Symbol	Parameter	Conditions	Min	Typ	Max	Unit
t _{WUSLEEP}	Wake-up from sleep mode	-	-	4 SYSCLK Cycles	-	μs
t _{WUSTOP}	Wake up from the stop mode	-	22.4	22.75	22.9	
t _{WUSTDBY}	Wake up from standby mode	-	-	110	-	

Note: The data are obtained from a comprehensive evaluation and are not tested in production.

5.9 Port characteristics

5.9.1 I/O port characteristics

Table 40 DC Characteristics ($V_{DD}=2.0\sim 3.6V$, $T_A=-40\sim 85^\circ C$)

Symbol	Parameter	Condition	Minimum value	Typical value	Maximum value	Unit
V_{IL}	Input low level voltage	TC and TTa I/O	-	-	$0.3V_{DD}+0.1$	V
		FT and FTf I/O	-	-	$0.476V_{DD}+0.4$	
		I/O pins except BOOT0 pin	-	-	$0.3V_{DD}$	
V_{IH}	Input high level voltage	TC and TTa I/O	$0.447V_{DD}+0.402$	-	-	V
		FT and FTf I/O	$0.5V_{DD}+0.2$	-	-	
		I/O pins except BOOT0 pin	$0.7 V_{DD}$	-	-	
V_{hys}	Schmidt trigger hysteresis	TC and TTa I/O	-	200	-	mV
		FT and FTf I/O	-	300	-	
I_{IKG}	Input leakage current	$V_{SS}\leq V_{IN}\leq V_{DDIOX}$ Standard I / O port	-	-	± 0.1	μA
		$V_{IN}=5V$, FT I/O	-	-	70	
R_{PU}	Weak pull-up equivalent resistance	$V_{IN}=V_{SS}$	30	40	50	k Ω
R_{PD}	Weak pull-down equivalent resistance	$V_{IN}=V_{DDIOX}$	30	40	50	k Ω

Note:

- (1) The data are obtained from a comprehensive evaluation and are not tested in production.
- (2) Some pins have no Schmidt trigger function.

Table 41 AC Characteristics

OSSELY[1:0] Configuration of	Symbol	Parameter	Condition	Minimum value	Maximum value	Unit
x0 (2MHz)	$f_{max(I/O)out}$	Maximum frequency	$C_L=50 pF$, $V_{DD}=2.4\sim 3.6V$	-	2	MHz
	$t_{f(I/O)out}$	Output high to low fall time	$C_L=50 pF$, $V_{DD}=2.4\sim 3.6V$	-	125	ns
	$t_{r(I/O)out}$	Output rise time from low to high level		-	125	

OSSELY[1:0] Configuration of	Symbol	Parameter	Condition	Minimum value	Maximum value	Unit
01 (10MHz)	$f_{\max(I/O)out}$	Maximum frequency	$C_L=50\text{ pF}$, $V_{DD}=2.4\sim 3.6V$	-	10	MHz
	$t_{f(I/O)out}$	Output high to low fall time	$C_L=50\text{ pF}$, $V_{DD}=2.4\sim 3.6V$	-	25	ns
	$t_r(I/O)out$	Output rise time from low to high level		-	25	
11 (50MHz)	$f_{\max(I/O)out}$	Maximum frequency	$C_L=30\text{ pF}$, $V_{DD}=2.7\sim 3.6V$	-	50	MHz
	$t_{f(I/O)out}$	Output high to low fall time	$C_L=30\text{ pF}$, $V_{DD}=2.7\sim 3.6V$	-	5	ns
	$t_r(I/O)out$	Output rise time from low to high level		-	5.5	

Note:

- (1) The speed of the I/O port can be configured via OSSELY.
- (2) The data are obtained from a comprehensive evaluation and are not tested in production.

Figure 15 I/O AC Characteristics Definition

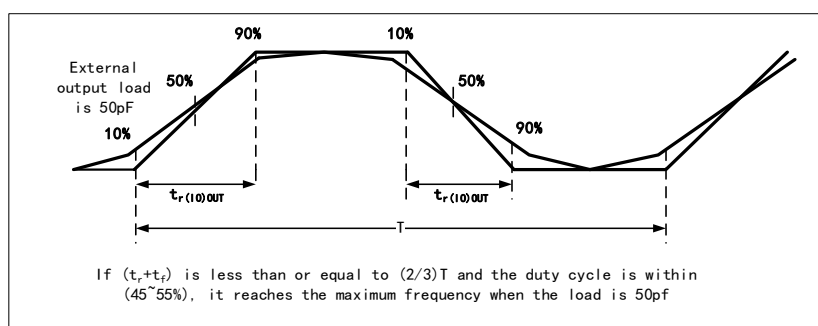


Table 42 Output Drive Voltage Characteristics ($V_{DD}=2.7\sim 3.6V$, $T_A=-40\sim 85^\circ C$)

Symbol	Parameter	Conditions	Min	Max	Unit
V_{OL}	I/O pin outputs low voltage	$ I_{IO} =8\text{ mA}$ $V_{DDIOx}\geq 2.7V$	-	0.4	V
V_{OH}	I/O pin outputs high voltage		$V_{DDIOx}-0.4$	-	
V_{OL}	I/O pin outputs low voltage	$ I_{IO} =20\text{ mA}$ $V_{DDIOx}\geq 2.7V$	-	1.3	
V_{OH}	I/O pin outputs high voltage		$V_{DDIOx}-1.3$	-	

5.9.2 NRST pin characteristics

The NRST pin input drive adopts CMOS process, which is connected with a permanent pull-up resistor R_{PU} .

Table 43 NRST Pin Characteristics ($V_{DD}=2.7\sim 3.6V$, $T_A=-40\sim 85^\circ C$)

Symbol	Parameter	Conditions	Min	Typ	Max	Unit
$V_{IL(NRST)}$	NRST input low voltage	-	-	-	$0.31V_{DD}+0.065$	V

Symbol	Parameter	Conditions	Min	Typ	Max	Unit
$V_{IH(NRST)}$	NRST input high voltage	-	$0.446V_{DD}+0.405$			
$V_{hys(NRST)}$	Voltage hysteresis of NRST Schmitt trigger	-	-	300	-	mV
R_{PU}	Weak pull-up equivalent resistance	$V_{IN}=V_{SS}$	30	40	50	k Ω

Note: The data are obtained from a comprehensive evaluation and are not tested in production.

5.10 Communication peripherals

5.10.1 I2C peripheral characteristics

To achieve maximum frequency of I2C in standard mode, f_{PCLK1} must be greater than 2MHz. To achieve maximum frequency of I2C in fast mode, f_{PCLK1} must be greater than 4MHz.

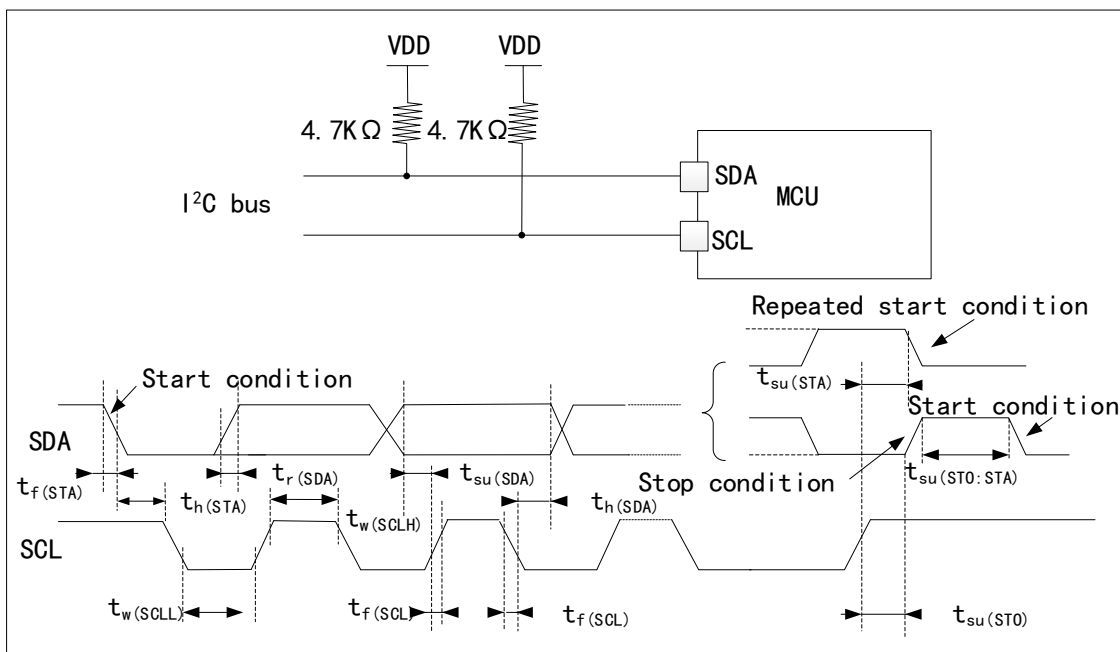
- Standard mode (Sm): bit rate up to 100kbit/s
- Fast mode (Fm): bit rate up to 400 kbit/s
- Ultra fast mode (Fm+): bit rate up to 1Mbit/s

Table 44 I2C Interface Characteristics ($T_A=25^{\circ}C$, $V_{DD}=3.3V$)

Symbol	Parameter	Standard I2C		Fast I2C		Ultrafast I2C		Unit
		Min	Max	Min	Max	Min	Max	
$t_{w(SCLL)}$	SCL clock low time	4.84	-	1.21	-	0.52	-	μs
$t_{w(SCLH)}$	SCL clock high time	5.01	5.04	0.71	0.76	0.36	0.4	
$t_{su(SDA)}$	SDA setup time	4460	-	860	-	311.11	318.89	ns
$t_{h(SDA)}$	SDA data hold time	103	181	0	252	0	145	
$t_{r(SDA)}/$	SDA rise time	-	500	427.85	485.82	373.06	402.26	
$t_{r(SCL)}$	SCL rise time			420.24	470.94	367.04	461.86	
$t_{f(SDA)}$	SDA fall time	-	9.86	-	8.12	-	4	
$t_{f(SCL)}$	SCL fall time						4.88	
$t_{h(STA)}$	Start condition hold time	4.92	-	1	-	0.33	-	
$t_{su(STA)}$	Setup time of repeated start condition	4.78	4.91	1.21	-	0.6	-	
$t_{su(STO)}$	Setup time of stop condition	4.50	-	0.9	0.97	0.54	-	
$t_{w(STO:STA)}$	Time from stop condition to start condition (the bus is idle)	4.67	-	1.37	-	0.77	-	

Note: The data are obtained from a comprehensive evaluation and are not tested in production.

Figure 16 Bus AC Waveform and Measurement Circuit



Note: The measuring points are set at CMOS levels: $0.3V_{DD}$ and $0.7V_{DD}$.

5.10.2 SPI peripheral characteristics

Table 45 SPI Characteristics ($T_A=25^{\circ}C$, $V_{DD}=3.3V$)

Symbol	Parameter	Condition	Min	Max	Unit
f_{SCK}	SPI clock frequency	holotype	-	18	MHz
$1/t_{c(SCK)}$		Slave mode	-	18	
$t_r(SCK)$	SPI clock rise and fall time	Load capacitance: $C = 15pF$	-	6	ns
$t_f(SCK)$					
$t_{su}(NSS)$	NSS setup time	Slave mode	223	-	ns
$t_h(NSS)$	NSS holding time	Slave mode	56.67	-	ns
$t_w(SCKH)$	SCK high and low time	Main mode, $f_{PCMU} = 36MHz$, Prescaler coefficient =4	54	57	ns
$t_w(SCKL)$					
$t_{su}(MI)$	Data input setup time	holotype	12	-	ns
$t_{su}(SI)$		Slave mode	20	-	
$t_h(MI)$	Data input holding time	holotype	33.67	-	ns
$t_h(SI)$		Slave mode	33	-	
$t_a(SO)$	Data output access time	In slave mode, $f_{PCLK} = 20MHz$	-	17	ns
$t_{dis}(SO)$	Data output prohibition time	Slave mode	-	18	ns
$t_v(SO)$	Effective time of data output	Slave mode (after enable edge)	-	16	ns

Symbol	Parameter	Condition	Min	Max	Unit
$t_{v(MO)}$	Effective time of data output	Master mode (after enable edge)	-	6	ns
$t_{h(SO)}$	Data output holding time	Slave mode (after enable edge)	11.5	-	ns
$t_{h(MO)}$		Master mode (after enable edge)	2	-	

Note: The data are obtained from a comprehensive evaluation and are not tested in production.

Figure 17 SPI Timing Diagram - Slave Mode and CPHA=0

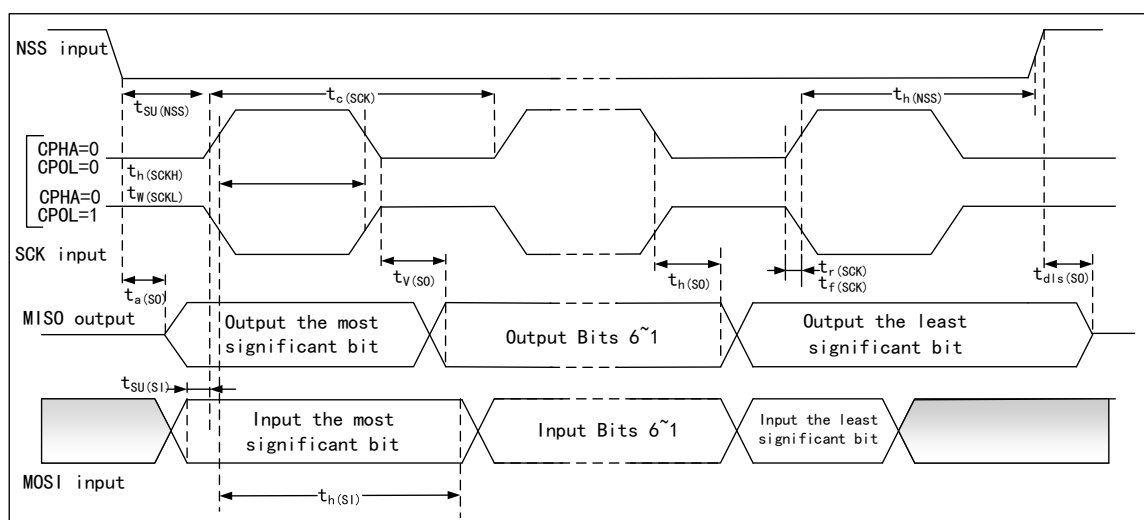
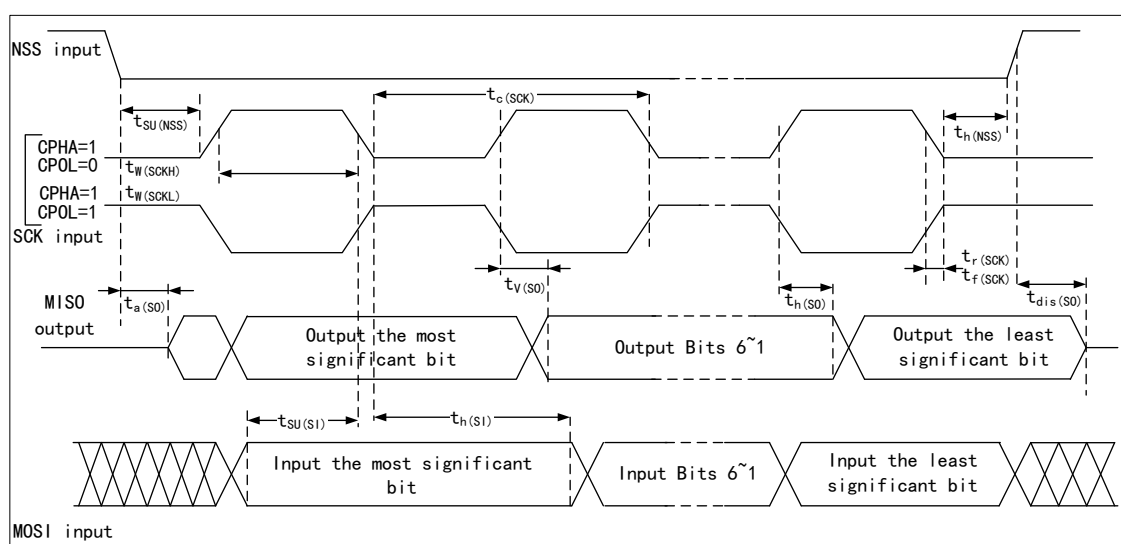
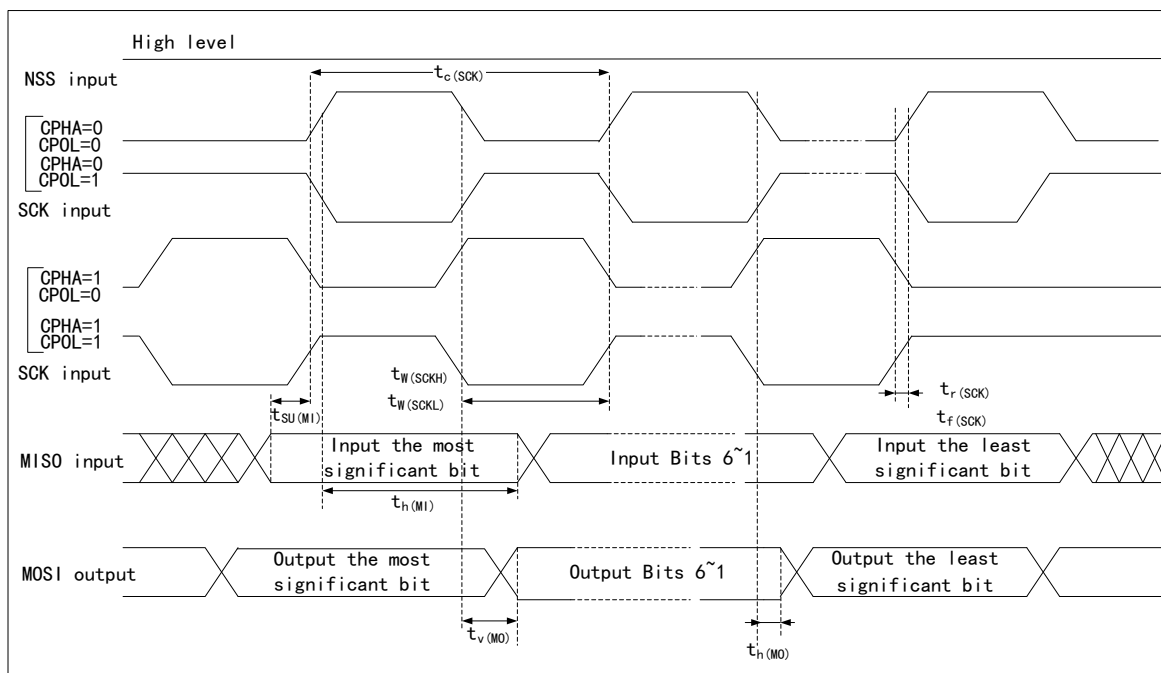


Figure 18 SPI Timing Diagram - Slave Mode and CPHA=1



Note: The measuring points are set at CMOS levels: 0.3V_{DD} and 0.7V_{DD}.

Figure 19 SPI Timing Diagram - Master Mode



Note: The measuring points are set at CMOS levels: $0.3V_{DD}$ and $0.7V_{DD}$.

5.11 Analog peripherals

5.11.1 ADC

Test parameter description:

- Sampling rate: the number of conversion of analog quantity to digital quantity by ADC per second, Sample rate=ADC clock/(number of sampling periods + number of conversion periods)

5.11.1.1 12-bit ADC characteristics

Table 46 12-bit ADC Characteristics

Symbol	Parameter	Conditions	Min	Typ	Max	Unit
V_{DDA}	Power supply voltage	-	2.4	-	3.6	V
I_{DDA}	ADC power consumption	$V_{DDA}=3.3V$, $f_{ADC}=14MHz$, Sample time=1.5 f_{ADC}	-	1	-	mA
f_{ADC}	ADC frequency	-	0.6	-	14	MHz
C_{ADC}	Internal sampling and holding capacitance	-	-	8	-	pF
R_{ADC}	Sampling resistor	-	-	-	1000	Ω

Symbol	Parameter	Conditions	Min	Typ	Max	Unit
t _s	Sampling time	f _{ADC} =14MHz	0.107	-	17.1	μs
		-	1	-	18	1/f _{ADC}
T _{CONV}	Sampling and conversion time	f _{ADC} =14MHz 12-bit resolution	2.4	-	3.6	μs

Table 47 12-bit ADC Accuracy

Symbol	Parameter	Conditions	Typ	Max	Unit
E _T	Composite error	f _{PCLK} =72MHz, f _{ADC} =14MHz, V _{DDA} =2.4V-3.6V T _A =-40°C~85°C	±4.1	±6.4	LSB
E _O	Offset error		±2.1	±3	
E _G	Gain error		±4.0	±6.2	
E _D	Differential linear error		±0.9	±1.5	
E _L	Integral linear error		±2.0	±2.3	

Note: The data are obtained from a comprehensive evaluation and are not tested in production.

5.11.2 Temperature Sensor Characteristics

Table 48 Temperature Sensor Characteristics

Symbol	Parameter	Minimum value	Typical value	Maximum value	Unit
T _{SENSOR}	Temperature sensor error	-	±1	±2	°C
Avg_Slope	Average slope	4.0	4.3	4.6	mV/°C
V ₃₀	Reference voltage at 30°C(±5°C)	1.34	1.43	1.52	V
t _{START} + t _{s_temp}	start Sampling time	4-	-	27.1	μs

5.11.2.1 Test of Built-in Reference Voltage Characteristics

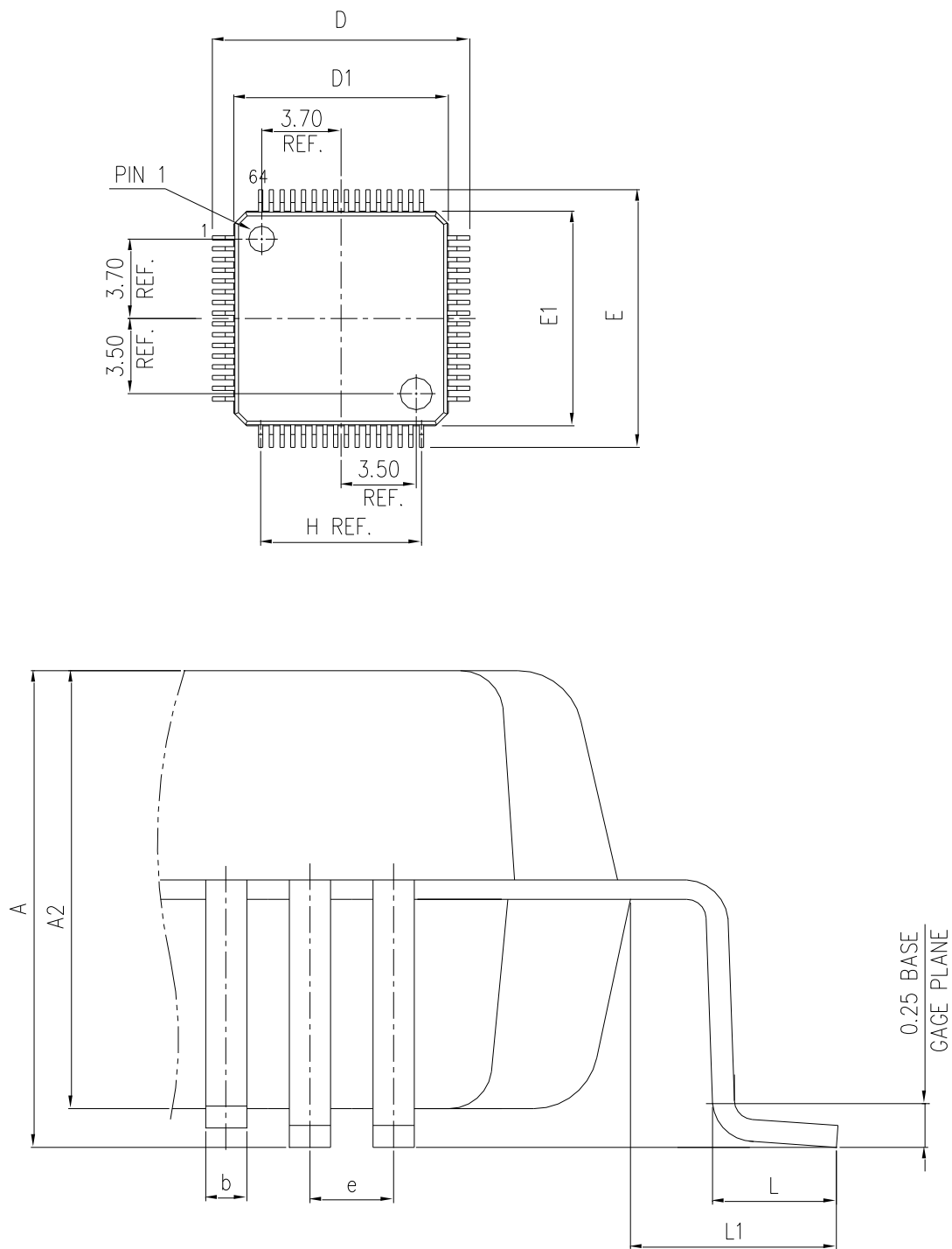
Table 49 Built-in Reference Voltage Characteristics

Symbol	Parameter	Conditions	Min	Typ	Max	Unit
V _{REFINT}	Built-in Reference Voltage	-40°C < T _A < +85°C	1.18	1.20	1.22	V
t _{START}	Reference voltage buffer start time	-	-	-	15	μs
T _{S_vrefint}	Sampling time of ADC when reading out internal reference voltage	-	4	-	-	μs
ΔV _{REFINT}	Built-in reference voltage extends to temperature range	V _{DDA} =3.3V	-	-	10	mV

6 Package Information

6.1 LQFP64 package information

Figure 20 LQFP64 Package Diagram



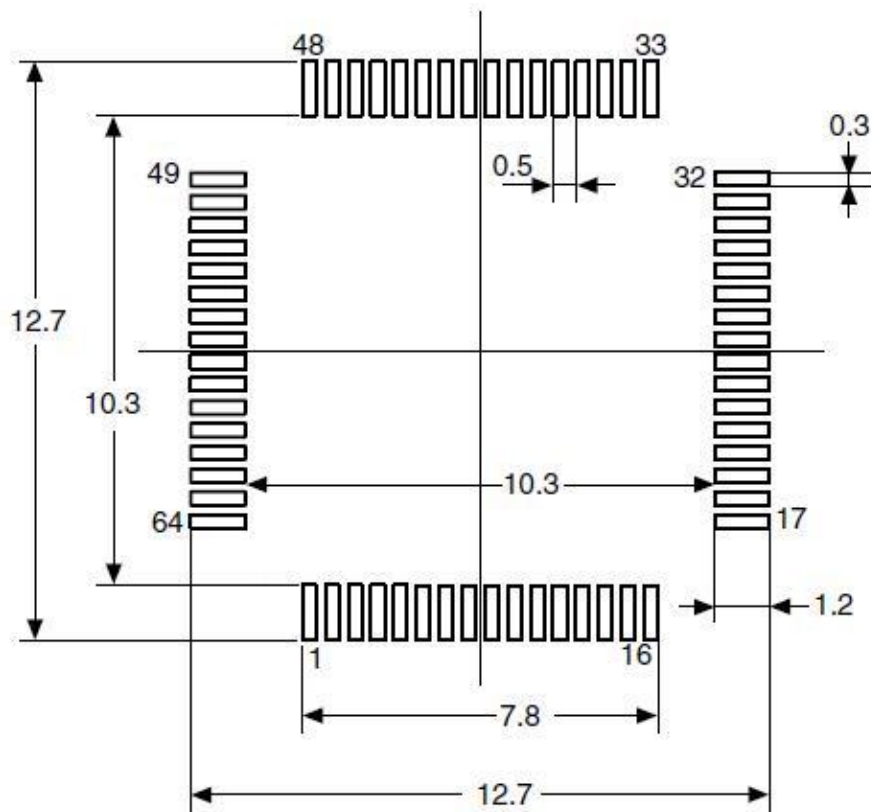
- (1) The figure is not drawn to scale.
- (2) All pins should be soldered to the PCB.

Table 50 LQFP64 Package Data

S/N	SYM	DIMENSIONS	REMARKS
1	A	MAX. 1.600	OVERALL HEIGHT
2	A2	1.400±0.050	PKG THICKNESS
3	D	26.000±0.200	LEAD TIP TO TIP
4	D1	24.000±0.100	PKG LENGTH
5	E	26.000±0.200	LEAD TIP TO TIP
6	E1	24.000±0.100	PKG WDTN
7	L	0.600±0.150	FOOT LENGTH
8	L1	1.000 REF	LEAD LENGTH
9	e	0.500 BASE	LEAD PITCH
10	H (REF)	(21.50)	CUM LEAD PITCH
11	b	0.22±0.050	LEAD WIDTH

Note: Dimensions are marked in millimeters.

Figure 21 LQFP64 -64 Pins, 10 x10mm Welding Layout Recommendations



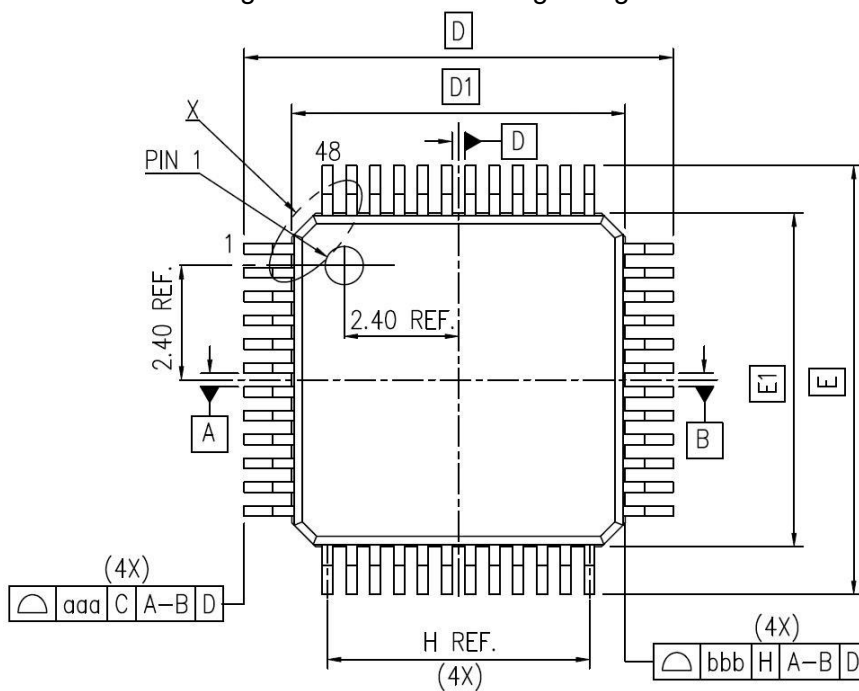
Note: Dimensions are in millimeters.

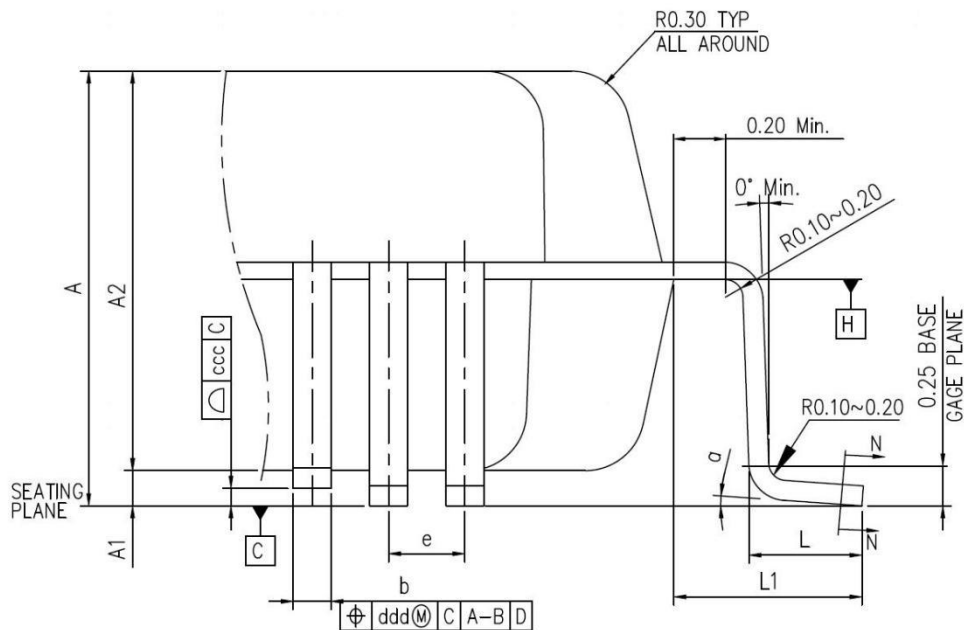
Figure 22 LQFP64 -64 Pins, 10 x10mm Schematic Diagram



6.2 LQFP48 package information

Figure 23 LQFP48 Package Diagram





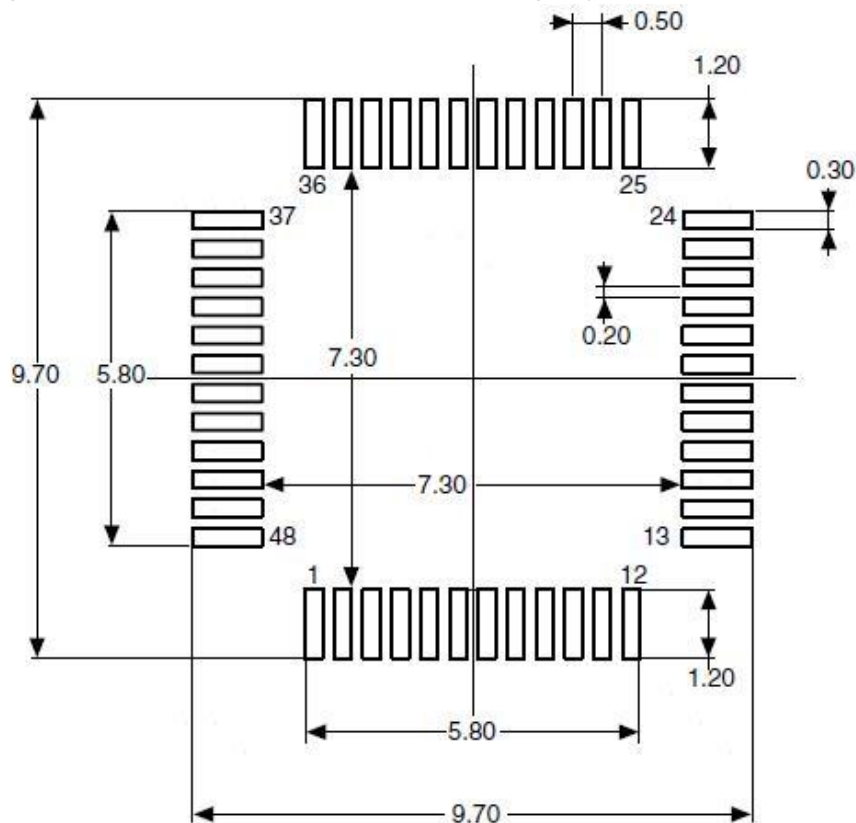
- (1) The figure is not drawn to scale.
- (2) All pins should be soldered to the PCB.

Table 51 LQFP48 Package Data

DIMENSION LIST(FOOTPRINT: 2.00)			
S/N	SYM	DIMENDIONS	REMARKS
1	A	MAX. 1.60	OVERALL HEIGHT
2	A1	0.1±0.05	STANDOFF
3	A2	1.40±0.05	PKG THICKNESS
4	D	9.00±0.20	LEAD TIP TO TIP
5	D1	7.00±0.10	PKG LENGTH
6	E	9.00±0.20	LEAD TIP TO TIP
7	E1	7.00±0.10	PKG WDH
8	L	0.60±0.15	FOOT LENGTH
9	L1	1.00 REF	LEAD LENGTH
10	T	0.15	LEAD THICKNESS
11	T1	0.127±0.03	LEAD BASE METAL THICKNESS
12	a	0°~7°	FOOT ANGLE
13	b	0.22±0.02	LEAD WIDTH
14	b1	0.20±0.03	LEAD BASE METAL WIDTH
15	e	0.50 BASE	LEAD PITCH
16	H(REF.)	(5.50)	CUM. LEAD PITCH
17	aaa	0.2	PROFILE OF LEAD TIPS
18	bbb	0.2	PROFILE OF MOLD SURFACE
19	ccc	0.08	FOOT COPLANARITY
20	ddd	0.08	FOOT POSITION

Note: Dimensions are marked in millimeters.

Figure 24 LQFP48-48 Pins, 7 x 7mm Welding Layout Recommendations



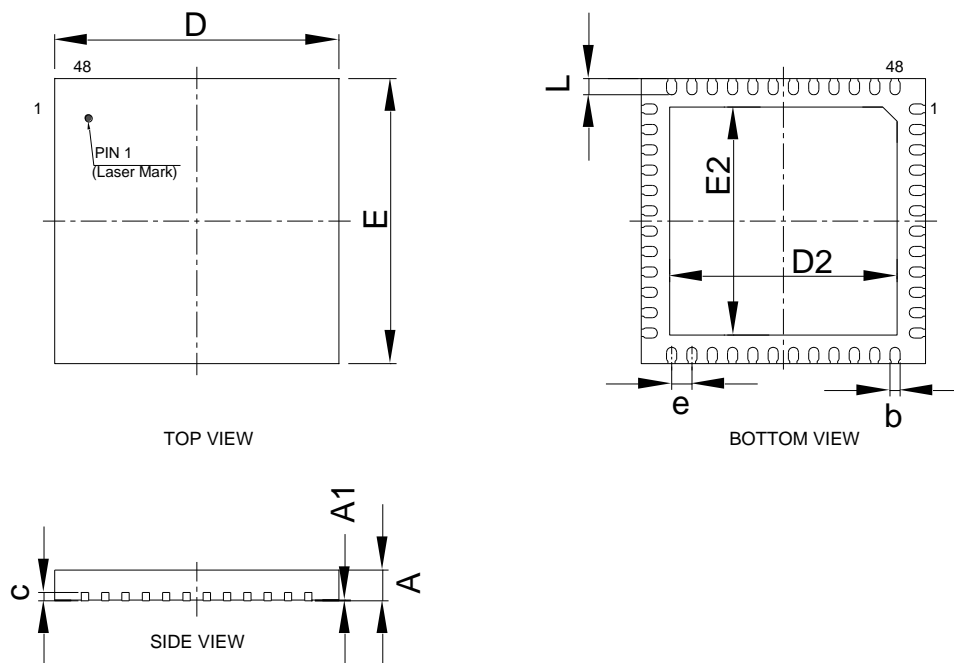
Note: Dimensions are marked in millimeters.

Figure 25 LQFP48 -48 Pins, 7 x7mm Schematic Diagram



6.3 QFN48 package information

Figure 26 QFN48 Package Diagram



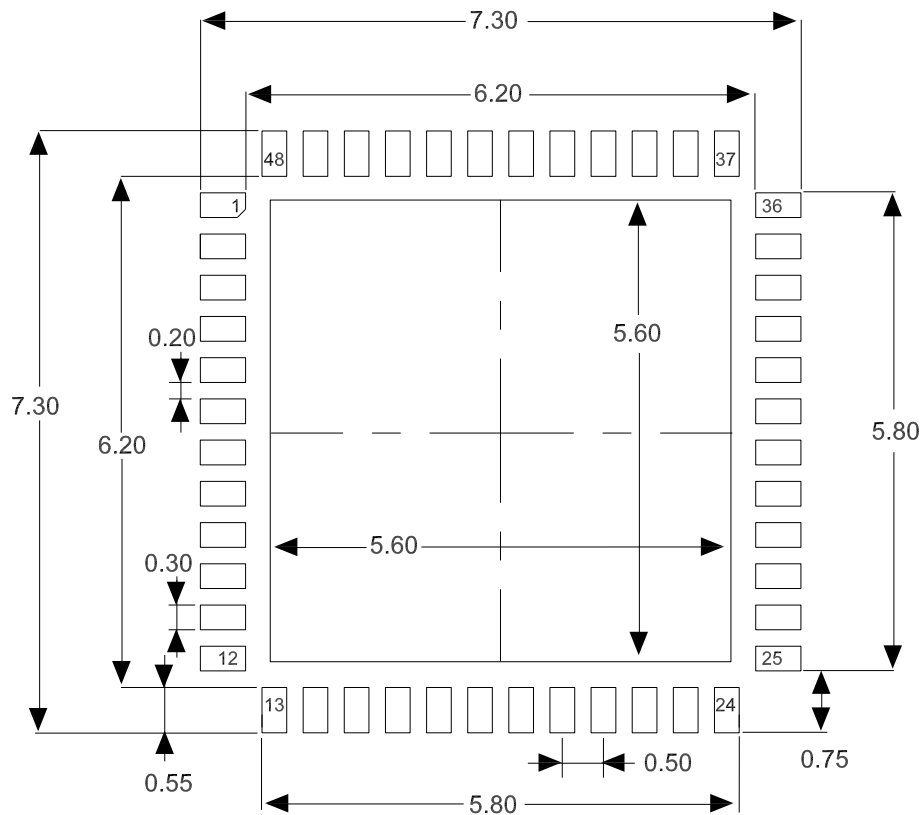
Note: The Figure is not drawn to scale.

Table 52 QFN48 Package Data

SYMBOL	MILLIMETER		
	MIN	NOM	MAX
A	0.70	0.75	0.80
A1	0	0.02	0.05
b	0.20	0.25	0.30
c	0.203REF		
e	0.50BSC		
D	6.90	7.00	7.10
D2	5.50	5.60	5.70
E	6.90	7.00	7.10
E2	5.50	5.60	5.70
L	0.35	0.40	0.45

Note: Dimensions are marked in millimeters.

Figure 27 QFN48, Welding Layout Recommendations



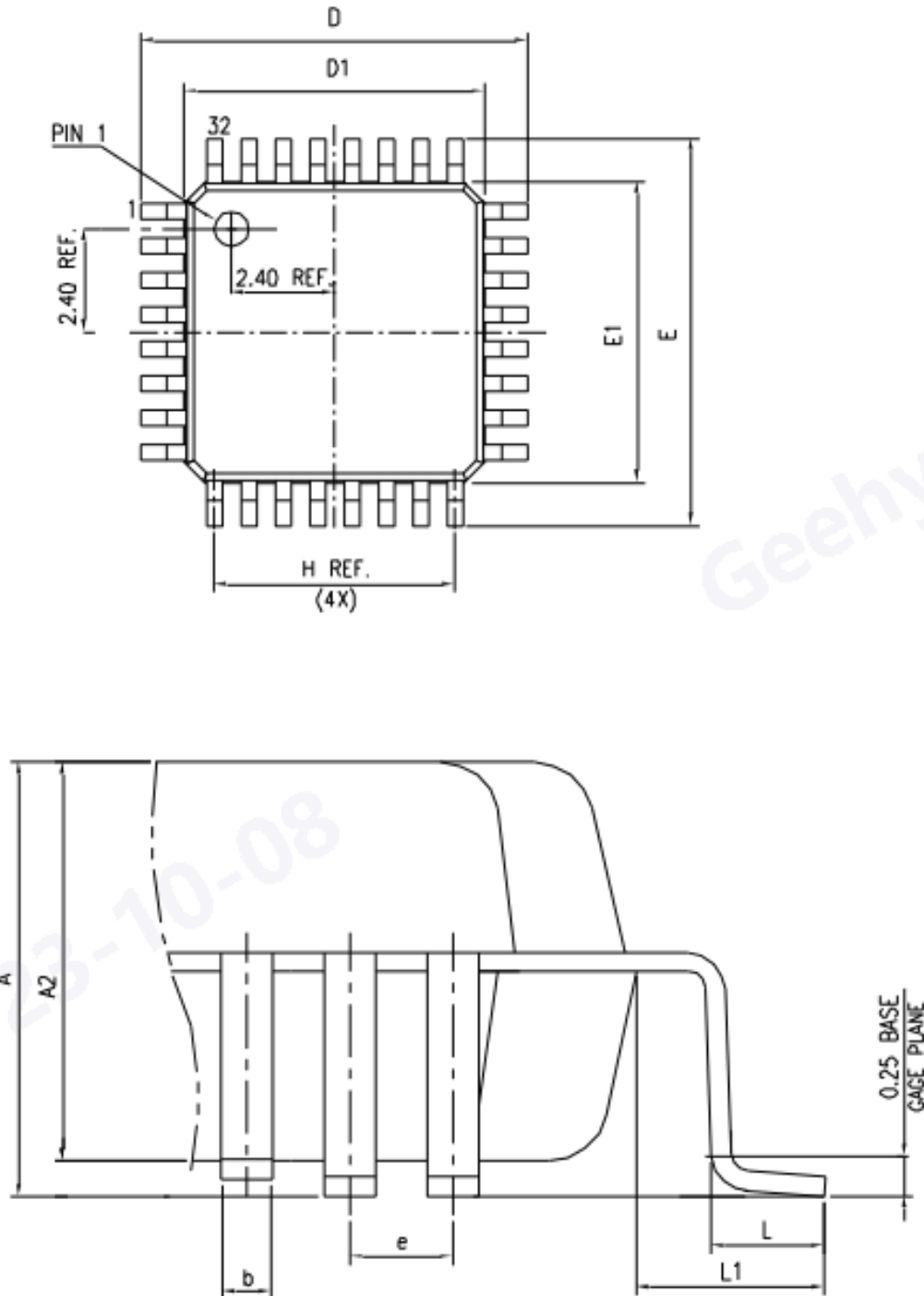
Note: Dimensions are marked in millimeters.

Figure 28 QEN48 - 48 Pins, 7 x 7mm Package Schematic Diagram



6.4 LQFP32 package information

Figure 29 LQFP32 Package Diagram



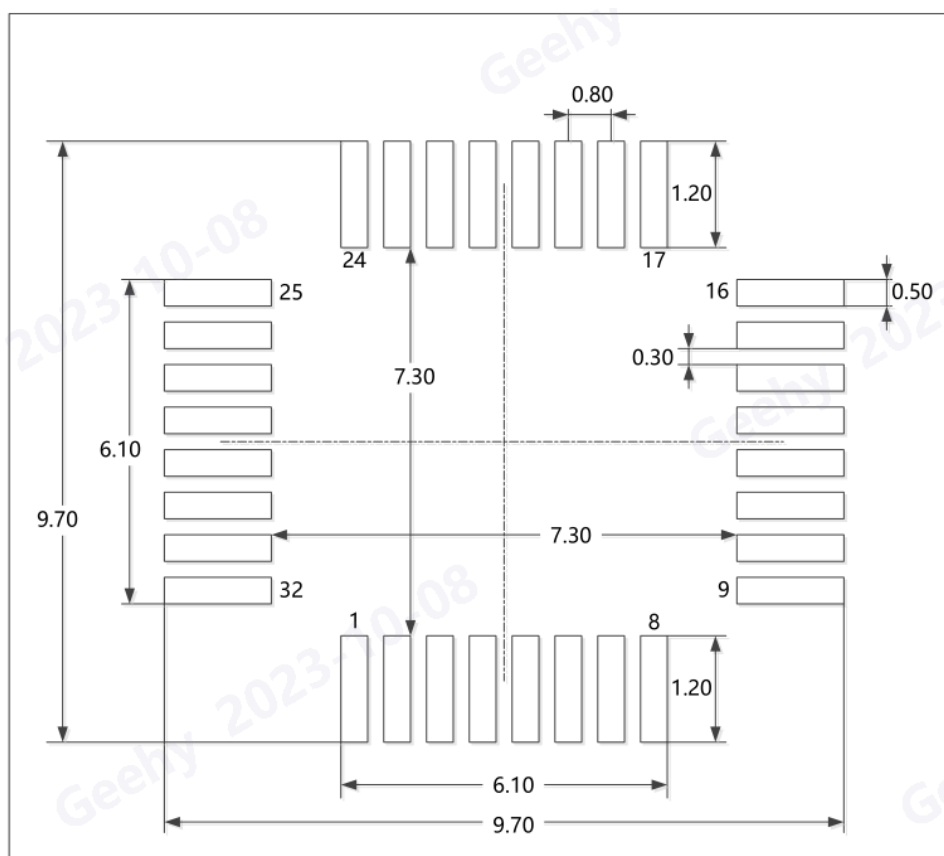
Note: The Figure is not drawn to scale.

Table 53 LQFP32 Package Data

S/N	SYM	DIMENSIONS	REMARKS
1	A	MAX.1.6	OVERALL HEIGHT
2	A2	1.40±0.05	PKG THICKNESS
3	D	9.00±0.20	LEAD TIP TO TIP
4	D1	7.00±0.10	PKG LENGTH
5	E	9.00±0.20	LEAD TIP TO TIP
6	E1	7.00±0.10	PKG WIDTH
7	L	0.60±0.15	FOOT LENGTH
8	L1	1.00 REF.	LEAD LENGTH
9	E	0.80 BASE	LEAD PITCH
10	H(REF.)	(5.60)	GUM.LEAD PITCH
11	b	0.370±0.080/0.070	LEAD WIDTH

Note: The value in inches is converted from mm to 4 decimal places.

Figure 30 LQFP32 Welding Layout Recommendations



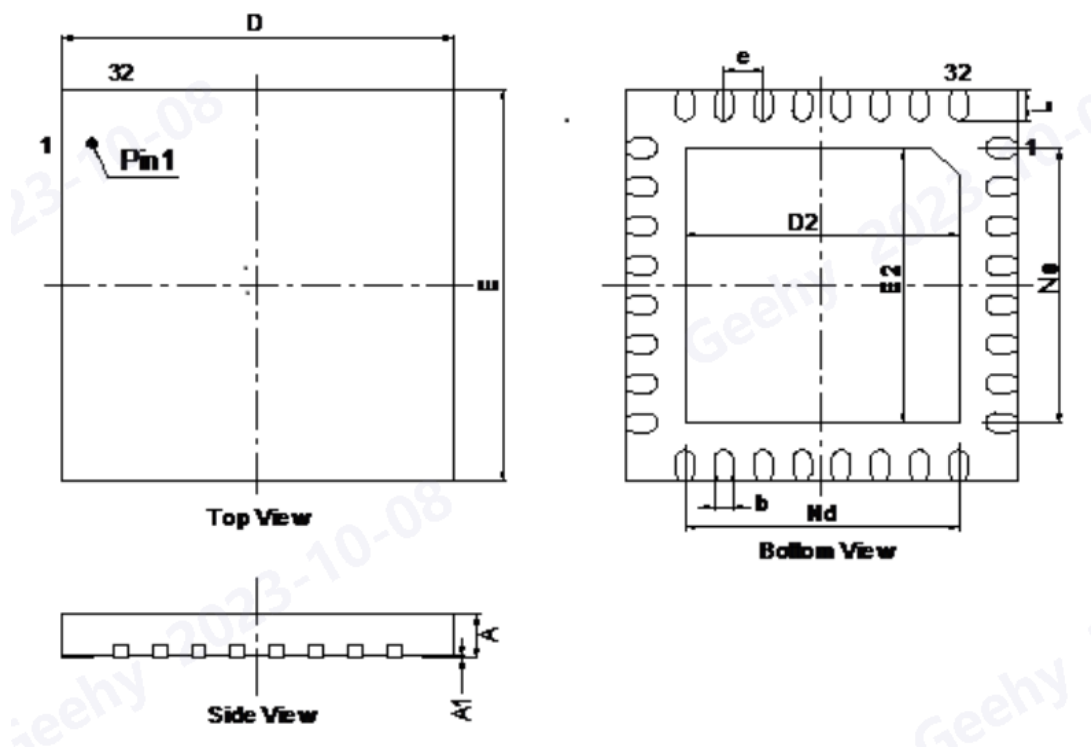
Note: Dimensions are marked in millimeters.

Figure 31 LQFP32 - 32 Pins, 9 x 9mm Package Schematic Diagram



6.5 QFN32 package information

Figure 32 QFN32 Package Diagram



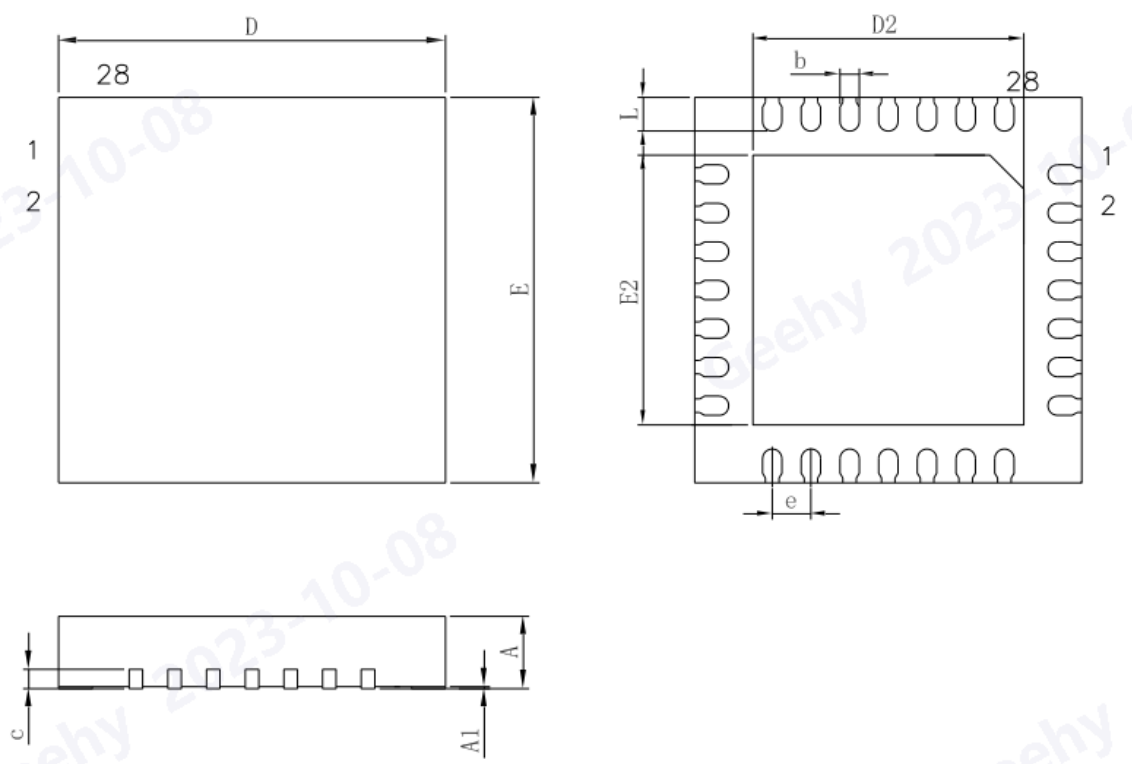
Note: The Figure is not drawn to scale.

Figure 34 QFN32 - 32 Pins, 5 x 5mm Package Schematic Diagram



6.6 QFN28 package information

Figure 35 LQFP32 Package Diagram



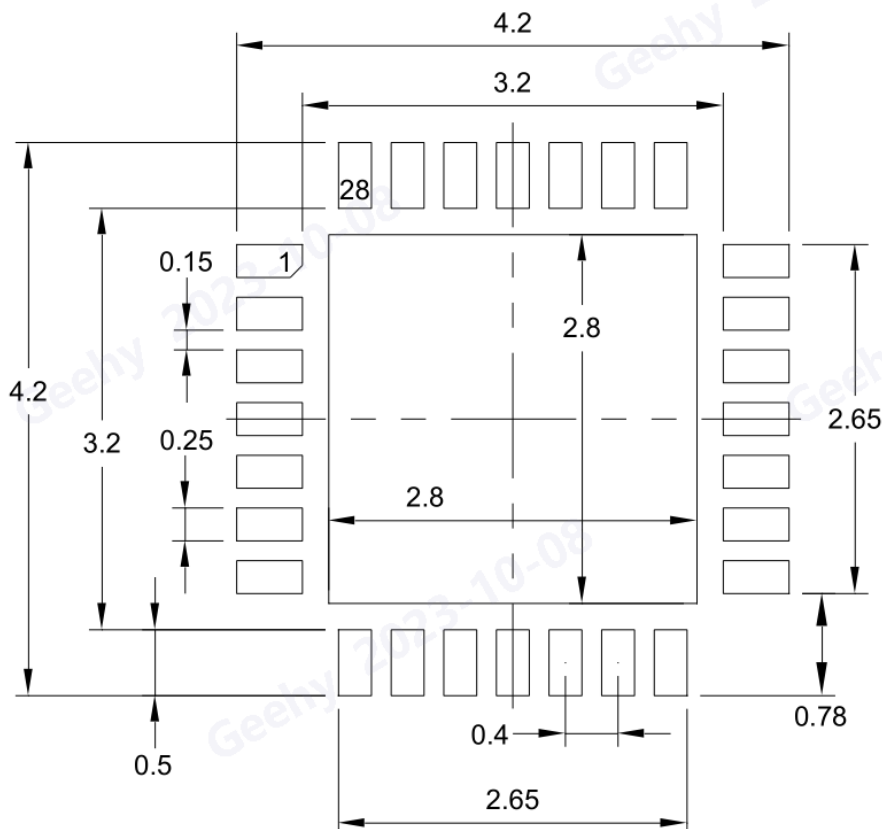
Note: The Figure is not drawn to scale.

Table 55 QFN28 Package Data

SYMBOL	MILLIMETER		
	MIN	NOM	MAX
A	0.70	0.75	0.80
A1	0	0.02	0.05
b	0.15	0.20	0.25
c	0.18	0.20	0.25
D	3.90	4.00	4.10
D2	2.70	2.80	2.90
e	0.40 BSC		
E	3.90	4.00	4.10
E2	2.70	2.80	2.90
L	0.30	0.35	0.40

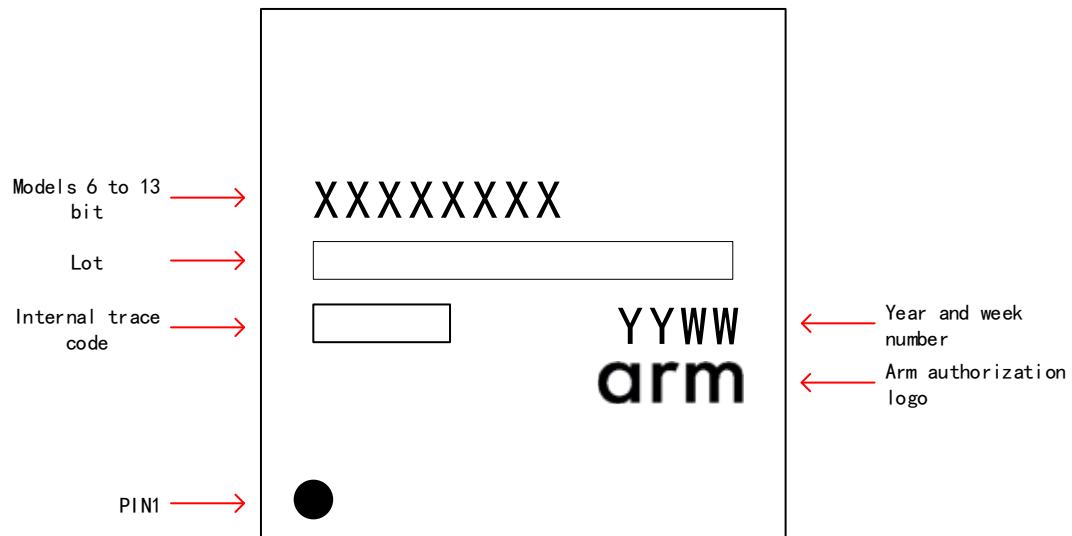
Note: The value in inches is converted from mm to 4 decimal places.

Figure 36 QFN28 Welding Layout Recommendations



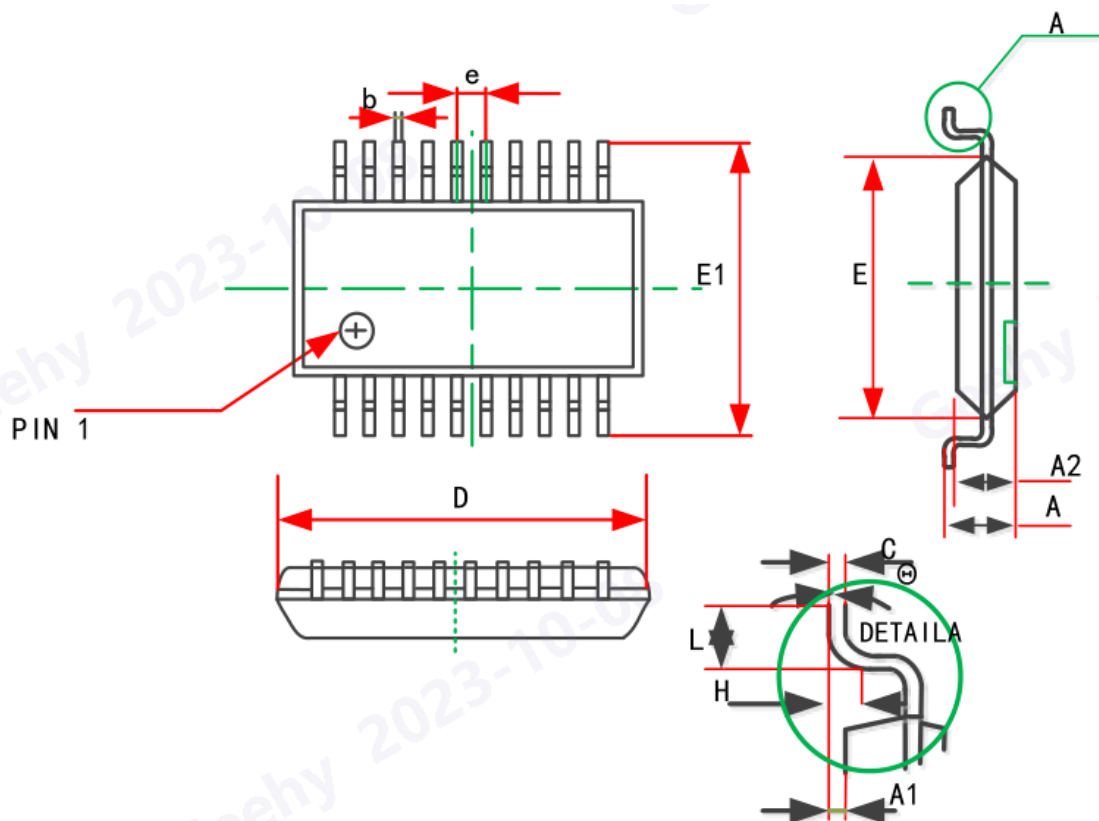
Note: Dimensions are marked in millimeters.

Figure 37 QFN28 - 28Pins, 4 x 4mm Package Schematic Diagram



6.7 TSSOP20 package information

Figure 38 LQFP32 Package Diagram



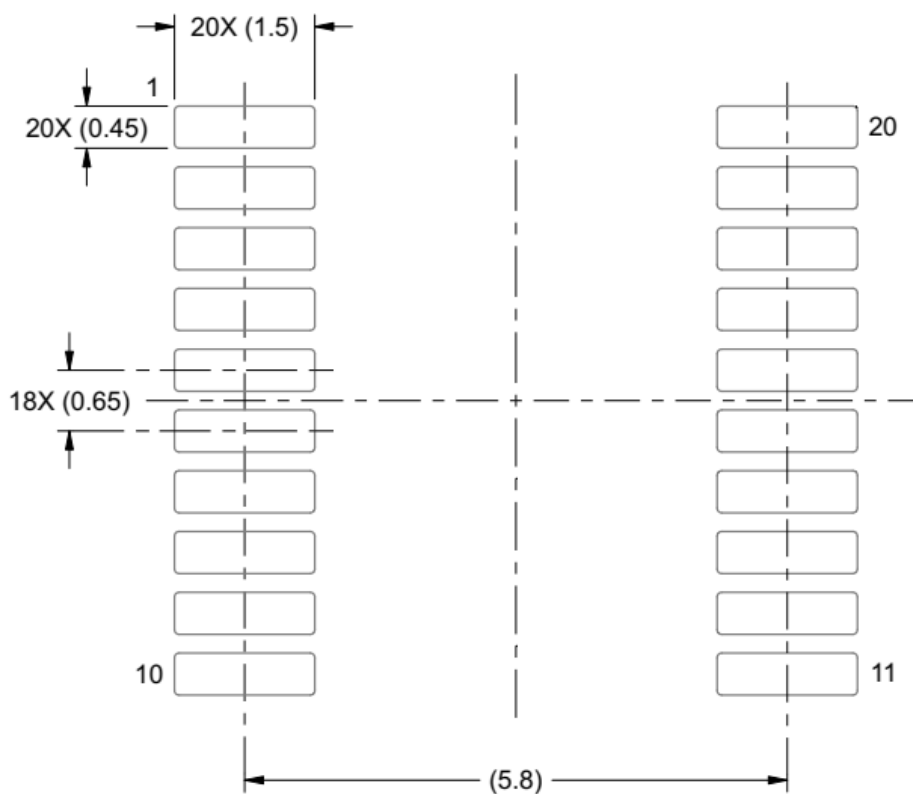
Note: The Figure is not drawn to scale.

Table 56 TSSOP20 Package Data

SYMBOL	Dimensions in Millimeters		Dimensions in Inches	
	MIN	MAX	MIN	MAX
D	6.400	6.600	0.252	0.259
E	4.300	4.500	0.169	0.177
b	0.190	0.300	0.007	0.012
c	0.090	0.200	0.004	0.008
E1	6.250	6.550	0.246	0.258
A	-	1.200	-	0.047
A2	0.800	1.000	0.031	0.039
A1	0.050	0.150	0.002	0.006
e	0.65 (BSC)		0.026 (BSC)	
L	0.500	0.700	0.020	0.028
H	0.25 (TYP)		0.01 (TYP)	
0	1	7	1	7

Note: The value in inches is converted from mm to 4 decimal places.

Figure 39 TSSOP20 Recommended Welding Layout



Note: Dimensions are marked in millimeters.

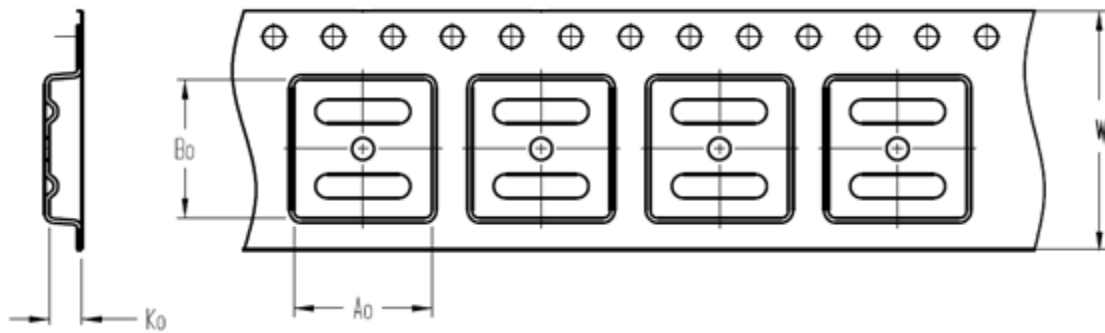
Figure 40 TSSOP20 – 20 Pins,4.4 x 6.5mm Package Schematic Diagram



7 Packaging Information

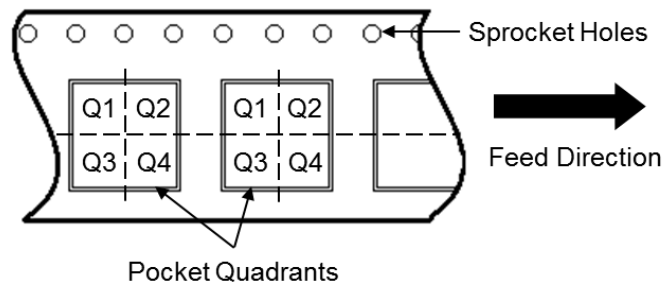
7.1 Reel packaging

Figure 41 Specification Drawing of Reel Packaging

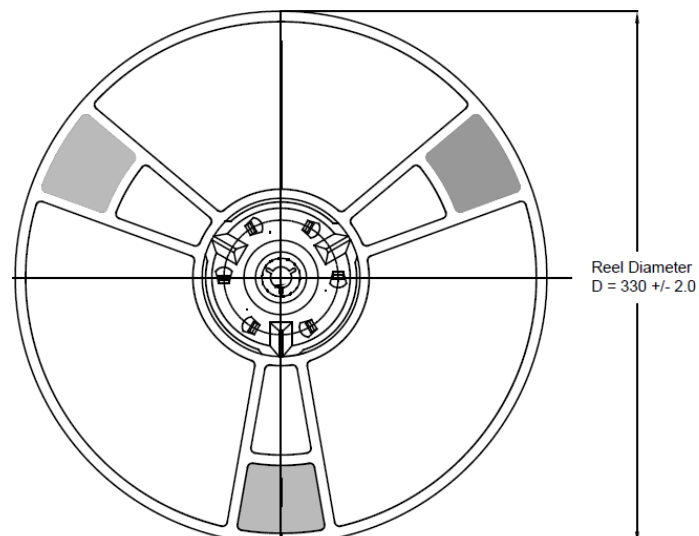


A0	Dimension designed to accommodate the component width
B0	Dimension designed to accommodate the component length
K0	Dimension designed to accommodate the component thickness
W	Overall width of the carrier tape

Quadrant Assignments for PIN1 Orientation in Tape



Reel Dimensions



All photos are for reference only, and the appearance is subject to the product.

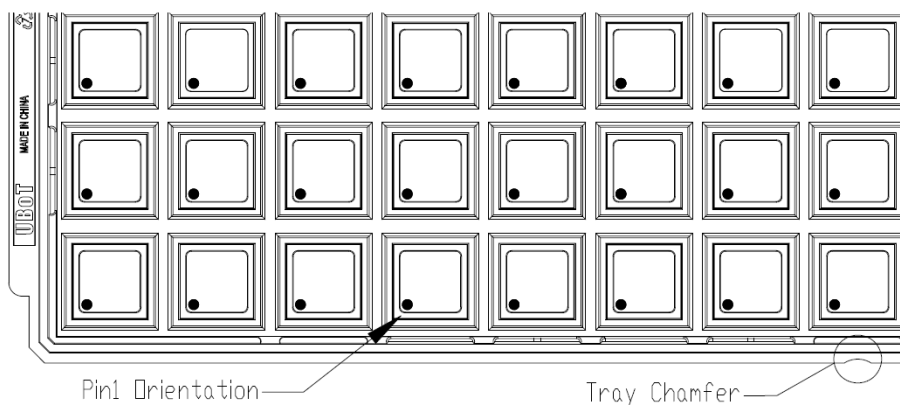
Table 57 Reel Packaging Parameter Specification Table

Device	Package Type	Pins	SPQ	Reel Diameter (mm)	A0 (mm)	B0 (mm)	K0 (mm)	W (mm)	Pin1 Quadrant
APM32E030R8T6	LQFP	64	1000	330	12.35	12.35	2.2	24	Q1
APM32E030C8T6	LQFP	48	2000	330	9.3	9.3	2.2	16	Q1
APM32E030C8T7	LQFP	48	2000	330	9.3	9.3	2.2	16	Q1
APM32E030K8T6	LQFP	32	2000	330	9.3	9.3	2.2	16	Q1
APM32E030K8U6	QFN	32	5000	330	5.3	5.3	0.8	12	Q1
APM32E030F8P6	TSSOP	20	4000	330	6.7	6.7	1.3	16	Q1

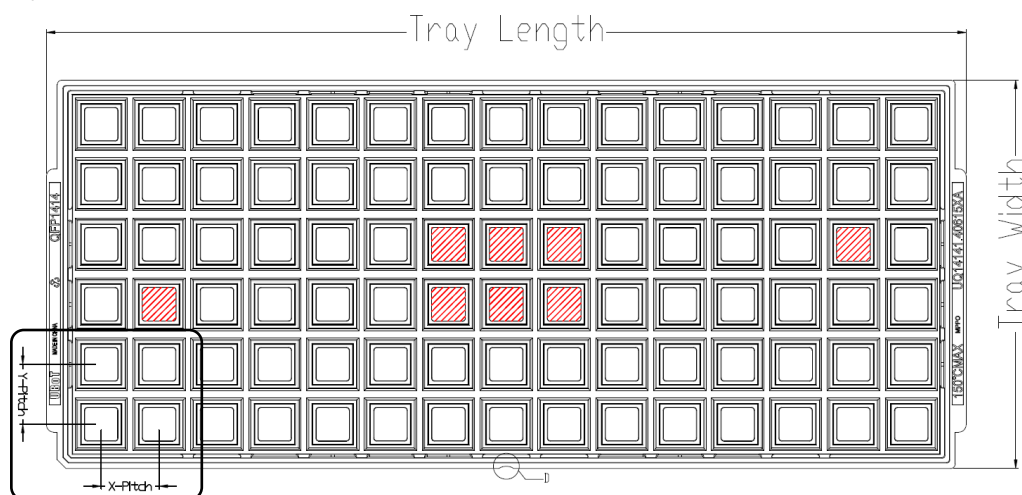
Note: SPQ= Minimum package quantity

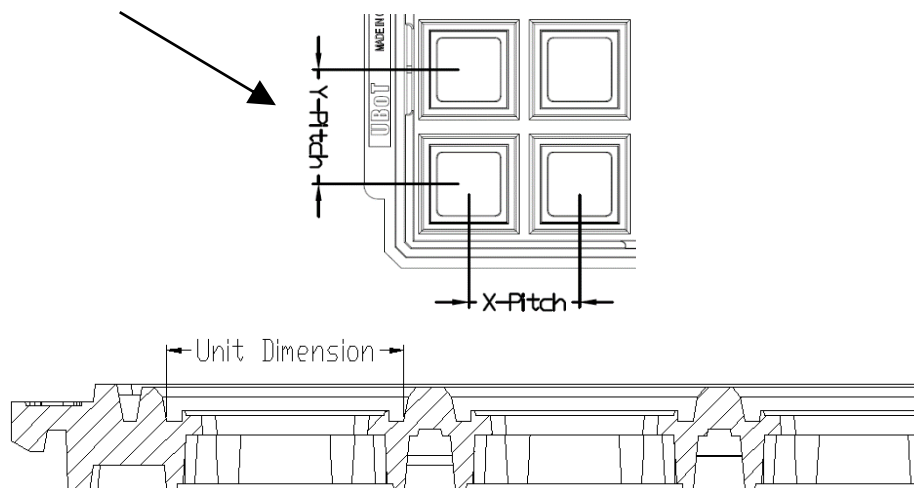
7.2 Tray packaging

Figure 42 Tray Packaging Diagram



Tray Dimensions





All photos are for reference only, and the appearance is subject to the product

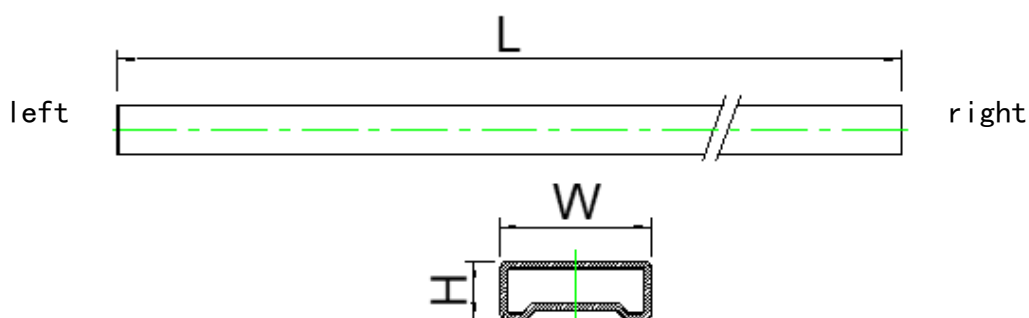
Table 58 Tray Packaging Parameter Specification Table

Device	Package Type	Pins	SPQ	X-Dimension (mm)	Y-Dimension (mm)	X-Pitch (mm)	Y-Pitch (mm)	Tray Length (mm)	Tray Width (mm)
APM32E030R8T6	LQFP	64	1600	12.3	12.3	15.2	15.7	322.6	135.9
APM32E030C8T6	LQFP	48	2500	9.7	9.7	12.2	12.6	322.6	135.9
APM32E030C8T6	LQFP	48	2500	9.7	9.7	12.2	12.6	322.6	135.9
APM32E030K8T6	LQFP	32	2500	9.7	9.7	12.2	12.6	322.6	135.9
APM32E030C8U6	QFN	48	4900	6.25	6.25	8.8	9.2	322.6	135.9
APM32E030K8U6	QFN	32	4900	5.2	5.2	8.7	9.0	322.6	135.9
APM32E030G8U6	QFN	28	4900	4.2	4.2	8.8	9.2	322.6	135.9

Note: SPQ= Minimum package quantity

7.2.1 Tube packing

Figure 43 Tube packing diagram



All photos are for reference only, the appearance is subject to the product.

Table 59 Tube Packaging Parameter Specification Table

Device	Package Type	Pins	Qty Per Tube	SPQ	L (mm)	W (mm)	H (mm)
APM32E030F8P6	TSSOP	20	46	14720	327	8.5	3.2

Note: SPQ= Minimum package quantity

8 Ordering Information

Figure 44 APM32E030x8 Series Ordering Information Diagram

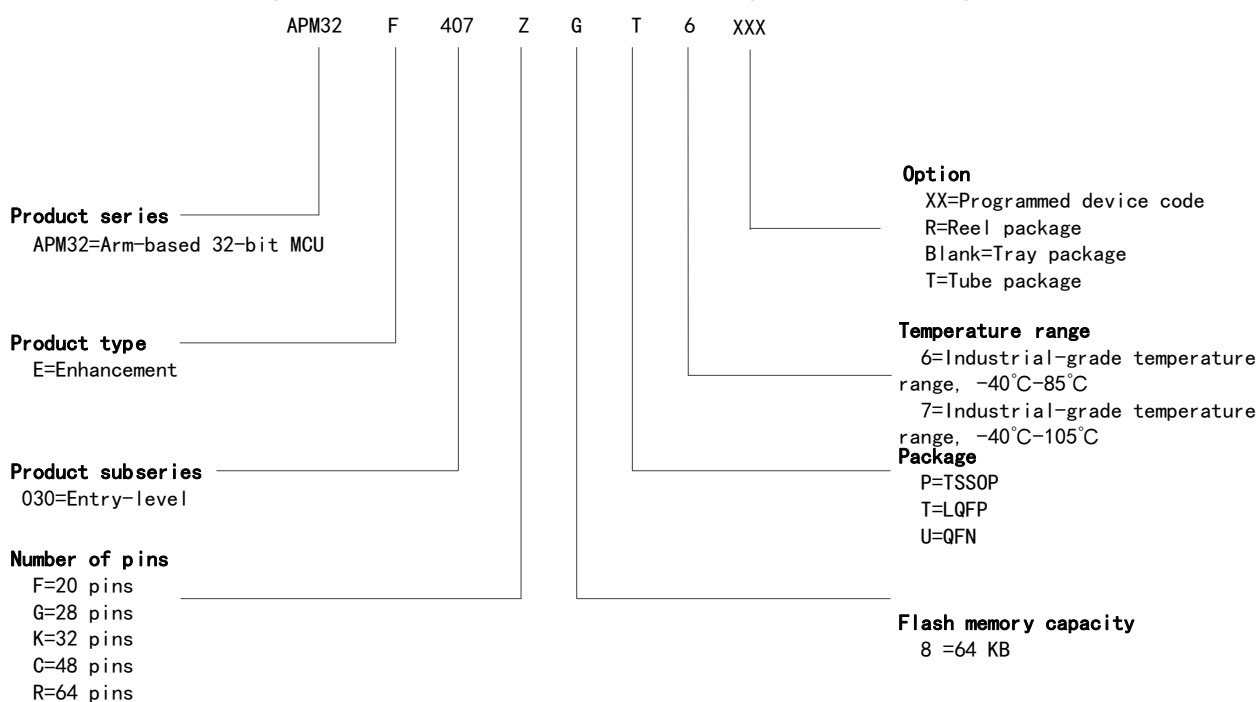


Table 60 Ordering Information Table

Order code	FLASH (KB)	SRAM (KB)	Package	SPQ	Range of temperature
APM32E030R8T6-R	64	8	LQFP64	1000	Industrial grade -40°C~85°C
APM32E030C8T6-R	64	8	LQFP48	2000	Industrial grade -40°C~85°C
APM32E030C8T7-R	64	8	LQFP48	2000	Industrial grade -40°C~105°C
APM32E030K8T6-R	64	8	LQFP32	2000	Industrial grade -40°C~85°C
APM32E030K8U6-R	64	8	QFN32	5000	Industrial grade -40°C~85°C
APM32E030F8P6-R	64	8	TSSOP20	4000	Industrial grade -40°C~85°C
APM32E030R8T6	64	8	LQFP64	1600	Industrial grade -40°C~85°C
APM32E030C8T6	64	8	LQFP48	2500	Industrial grade -40°C~85°C
APM32E030C8T7	64	8	LQFP48	2500	Industrial grade -40°C~105°C
APM32E030K8T6	64	8	LQFP32	2500	Industrial grade -40°C~85°C
APM32E030C8U6	64	8	QFN48	4900	Industrial grade -40°C~85°C
APM32E030K8U6	64	8	QFN32	4900	Industrial grade -40°C~85°C
APM32E030G8U6	64	8	QFN28	4900	Industrial grade -40°C~85°C
APM32E030F8P6-T	64	8	TSSOP20	14720	Industrial grade -40°C~85°C

Note: SPQ= Minimum package quantity

9 Commonly Used Function Module Denomination

Table 61 Commonly Used Function Module Denomination

Full name	Abbreviations
Reset management unit	RMU
Clock management unit	CMU
Reset and clock management	RCM
External interrupt	EINT
General-purpose IO	GPIO
Multiplexing IO	AFIO
Wake-up controller	WUPT
Buzzer	BUZZER
Independent watchdog timer	IWDT
Window watchdog timer	WWDT
Timer	TMR
CRC controller	CRC
Power Management Unit	PMU
DMA controller	DMA
Analog-to-digital converter	ADC
Real-time clock	RTC
External memory controller	EMMC
Controller local area network	CAN
I2C Interface	I2C
Serial peripheral interface	SPI
Universal asynchronous transmitter receiver	UART
Universal synchronous and asynchronous transmitter receiver	USART
Flash interface control unit	FMC

10 Version History

Table 62 Document Version History

Date	Version	Change History
November, 2024	1.0	New

Statement

This document is formulated and published by Geehy Semiconductor Co., Ltd. (hereinafter referred to as “Geehy”). The contents in this document are protected by laws and regulations of trademark, copyright and software copyright. Geehy reserves the right to make corrections and modifications to this document at any time. Read this document carefully before using Geehy products. Once you use the Geehy product, it means that you (hereinafter referred to as the “users”) have known and accepted all the contents of this document. Users shall use the Geehy product in accordance with relevant laws and regulations and the requirements of this document.

1. Ownership

This document can only be used in connection with the corresponding chip products or software products provided by Geehy. Without the prior permission of Geehy, no unit or individual may copy, transcribe, modify, edit or disseminate all or part of the contents of this document for any reason or in any form.

The “极海” or “Geehy” words or graphics with “®” or “™” in this document are trademarks of Geehy. Other product or service names displayed on Geehy products are the property of their respective owners.

2. No Intellectual Property License

Geehy owns all rights, ownership and intellectual property rights involved in this document.

Geehy shall not be deemed to grant the license or right of any intellectual property to users explicitly or implicitly due to the sale or distribution of Geehy products or this document.

If any third party’s products, services or intellectual property are involved in this document, it shall not be deemed that Geehy authorizes users to use the aforesaid third party’s products, services or intellectual property. Any information regarding the application of the product, Geehy hereby disclaims any and all warranties and liabilities of any kind, including without limitation warranties of non-infringement of intellectual property rights of any third party, unless otherwise agreed in sales order or sales contract.

3. Version Update

Users can obtain the latest document of the corresponding models when ordering Geehy products.

If the contents in this document are inconsistent with Geehy products, the agreement in the sales order or the sales contract shall prevail.

4. Information Reliability

The relevant data in this document are obtained from batch test by Geehy Laboratory or cooperative third-party testing organization. However, clerical errors in correction or errors caused by differences in testing environment may occur inevitably. Therefore, users should understand that Geehy does not bear any responsibility for such errors that may occur in this document. The relevant data in this document are only used to guide users as performance parameter reference and do not constitute Geehy's guarantee for any product performance.

Users shall select appropriate Geehy products according to their own needs, and effectively verify and test the applicability of Geehy products to confirm that Geehy products meet their own needs, corresponding standards, safety or other reliability requirements. If losses are caused to users due to user's failure to fully verify and test Geehy products, Geehy will not bear any responsibility.

5. Legality

USERS SHALL ABIDE BY ALL APPLICABLE LOCAL LAWS AND REGULATIONS WHEN USING THIS DOCUMENT AND THE MATCHING GEEHY PRODUCTS. USERS SHALL UNDERSTAND THAT THE PRODUCTS MAY BE RESTRICTED BY THE EXPORT, RE-EXPORT OR OTHER LAWS OF THE COUNTRIES OF THE PRODUCTS SUPPLIERS, GEEHY, GEEHY DISTRIBUTORS AND USERS. USERS (ON BEHALF OR ITSELF, SUBSIDIARIES AND AFFILIATED ENTERPRISES) SHALL AGREE AND PROMISE TO ABIDE BY ALL APPLICABLE LAWS AND REGULATIONS ON THE EXPORT AND RE-EXPORT OF GEEHY PRODUCTS AND/OR TECHNOLOGIES AND DIRECT PRODUCTS.

6. Disclaimer of Warranty

THIS DOCUMENT IS PROVIDED BY GEEHY "AS IS" AND THERE IS NO WARRANTY OF ANY KIND, EITHER EXPRESSED OR IMPLIED, INCLUDING, BUT NOT LIMITED TO, THE WARRANTIES OF MERCHANTABILITY AND FITNESS FOR A PARTICULAR PURPOSE, TO THE EXTENT PERMITTED BY APPLICABLE LAW.

GEEHY'S PRODUCTS ARE NOT DESIGNED, AUTHORIZED, OR WARRANTED FOR

USE AS CRITICAL COMPONENTS IN MILITARY, LIFE-SUPPORT, POLLUTION CONTROL, OR HAZARDOUS SUBSTANCES MANAGEMENT SYSTEMS, NOR WHERE FAILURE COULD RESULT IN INJURY, DEATH, PROPERTY OR ENVIRONMENTAL DAMAGE.

IF THE PRODUCT IS NOT LABELED AS "AUTOMOTIVE GRADE," IT SHOULD NOT BE CONSIDERED SUITABLE FOR AUTOMOTIVE APPLICATIONS. GEEHY ASSUMES NO LIABILITY FOR THE USE BEYOND ITS SPECIFICATIONS OR GUIDELINES.

THE USER SHOULD ENSURE THAT THE APPLICATION OF THE PRODUCTS COMPLIES WITH ALL RELEVANT STANDARDS, INCLUDING BUT NOT LIMITED TO SAFETY, INFORMATION SECURITY, AND ENVIRONMENTAL REQUIREMENTS. THE USER ASSUMES FULL RESPONSIBILITY FOR THE SELECTION AND USE OF GEEHY PRODUCTS. GEEHY WILL BEAR NO RESPONSIBILITY FOR ANY DISPUTES ARISING FROM THE SUBSEQUENT DESIGN OR USE BY USERS.

7. Limitation of Liability

IN NO EVENT, UNLESS REQUIRED BY APPLICABLE LAW OR AGREED TO IN WRITING WILL GEEHY OR ANY OTHER PARTY WHO PROVIDES THE DOCUMENT AND PRODUCTS "AS IS", BE LIABLE FOR DAMAGES, INCLUDING ANY GENERAL, SPECIAL, DIRECT, INCIDENTAL OR CONSEQUENTIAL DAMAGES ARISING OUT OF THE USE OR INABILITY TO USE THE DOCUMENT AND PRODUCTS (INCLUDING BUT NOT LIMITED TO LOSSES OF DATA OR DATA BEING RENDERED INACCURATE OR LOSSES SUSTAINED BY USERS OR THIRD PARTIES). THIS COVERS POTENTIAL DAMAGES TO PERSONAL SAFETY, PROPERTY, OR THE ENVIRONMENT, FOR WHICH GEEHY WILL NOT BE RESPONSIBLE.

8. Scope of Application

The information in this document replaces the information provided in all previous versions of the document.

© 2024 Geehy Semiconductor Co., Ltd. - All Rights Reserved